

“A” ELEV VIEW
MAIN STAIR CASE

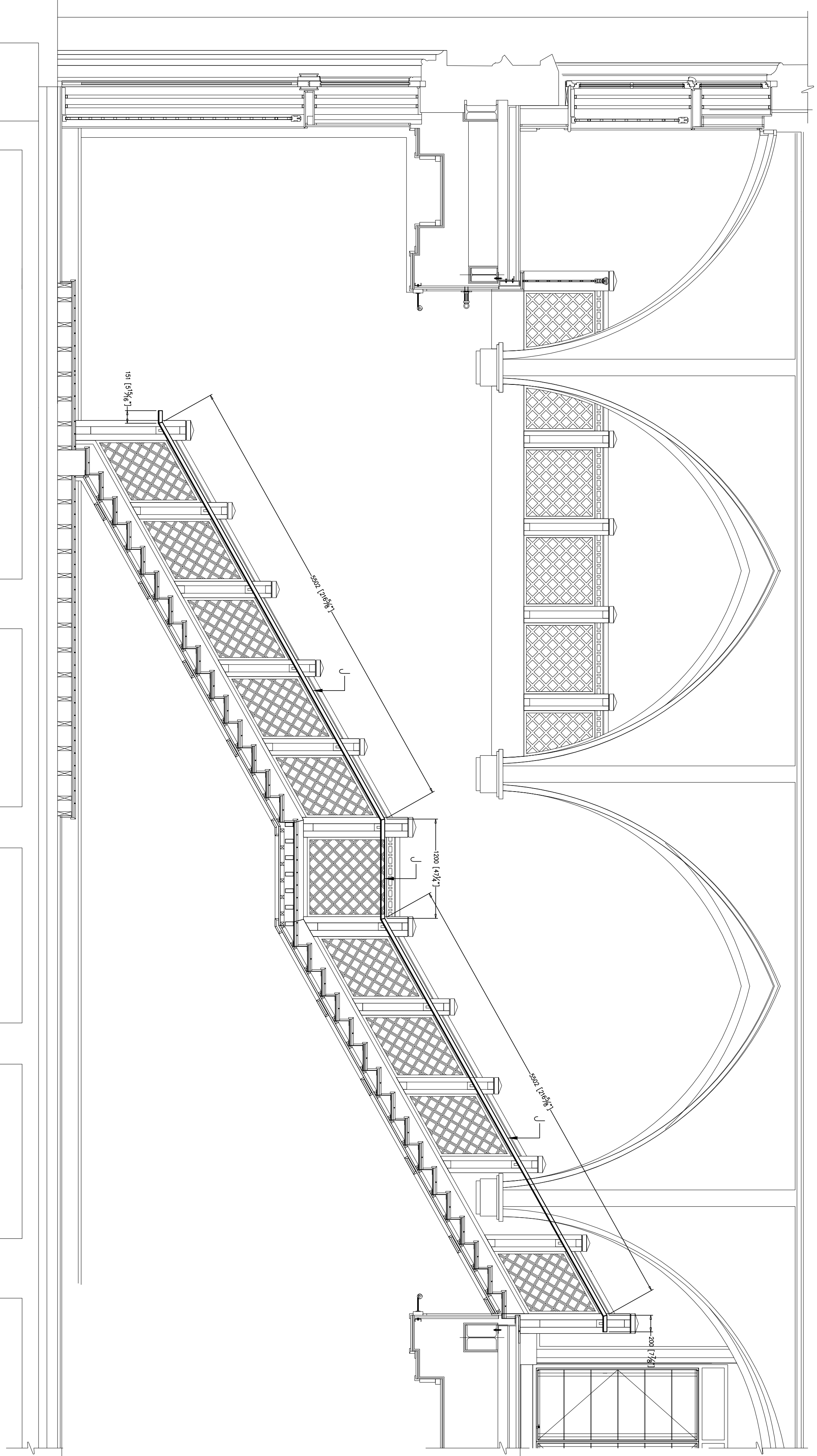
SPECIFICATIONS

WOOD MILLWORK	CONSTRUCTION
SOLID WOOD	WD-1A White Oak (Rift Cut)
CABINET INTERIOR	PLASTIC LAMINATES
EDGE BAND	VENEERS
FINISHES	CABINET DOOR
DRAWER FRONT	HARDWARE
HINGE: ---	DOOR PULL: ---
DRAWER PULL: ---	DWR. SLIDE: ---
SHELF CLIP: ---	GROMMET: ---
FINISHED TOE KICK	INSTALLATION

PROJECT NUMBER: --- WORK ORDER: ---
 PROJECT NAME: **Abercrombie & Fitch MONUMENTAL STAIR**
 PROJECT LOCATION: **POST STRASSE 11 20254 HAMBURG, GERMANY**
 PROJECT CONTACT: ---
 PROJECT CONTACT PHONE: ---
 DRAWING DESCRIPTION: ---

REVISION	INITIALS	REVISION DATE

DRAWN BY: **SD** DATE: ---
 DRAWING NUMBER: **A1.1**



"B" ELEV VIEW
MAIN STAIR CASE

SPECIFICATIONS

WOOD MILLWORK
CONSTRUCTION
SOLID WOOD
WD-1A White Oak (Rift Cut)
CABINET INTERIOR
PLASTIC LAMINATES
EDGE BAND
VENEERS
FINISHES
CABINET DOOR
STYLE: -----
EDGE: -----
PANEL: -----
STYLE: -----
EDGE: -----
PANEL: -----
HARDWARE
HINGE: -----
DOOR PULL: -----
DRAWER PULL: -----
DWR. SLIDE: -----
SHELF CLIP: -----
GROMMET: -----
FINISHED TOE KICK
INSTALLATION

PROJECT NUMBER	WORK ORDER
-----	-----

PROJECT NAME
**Abercrombie & Fitch
MONUMENTAL STAIR**

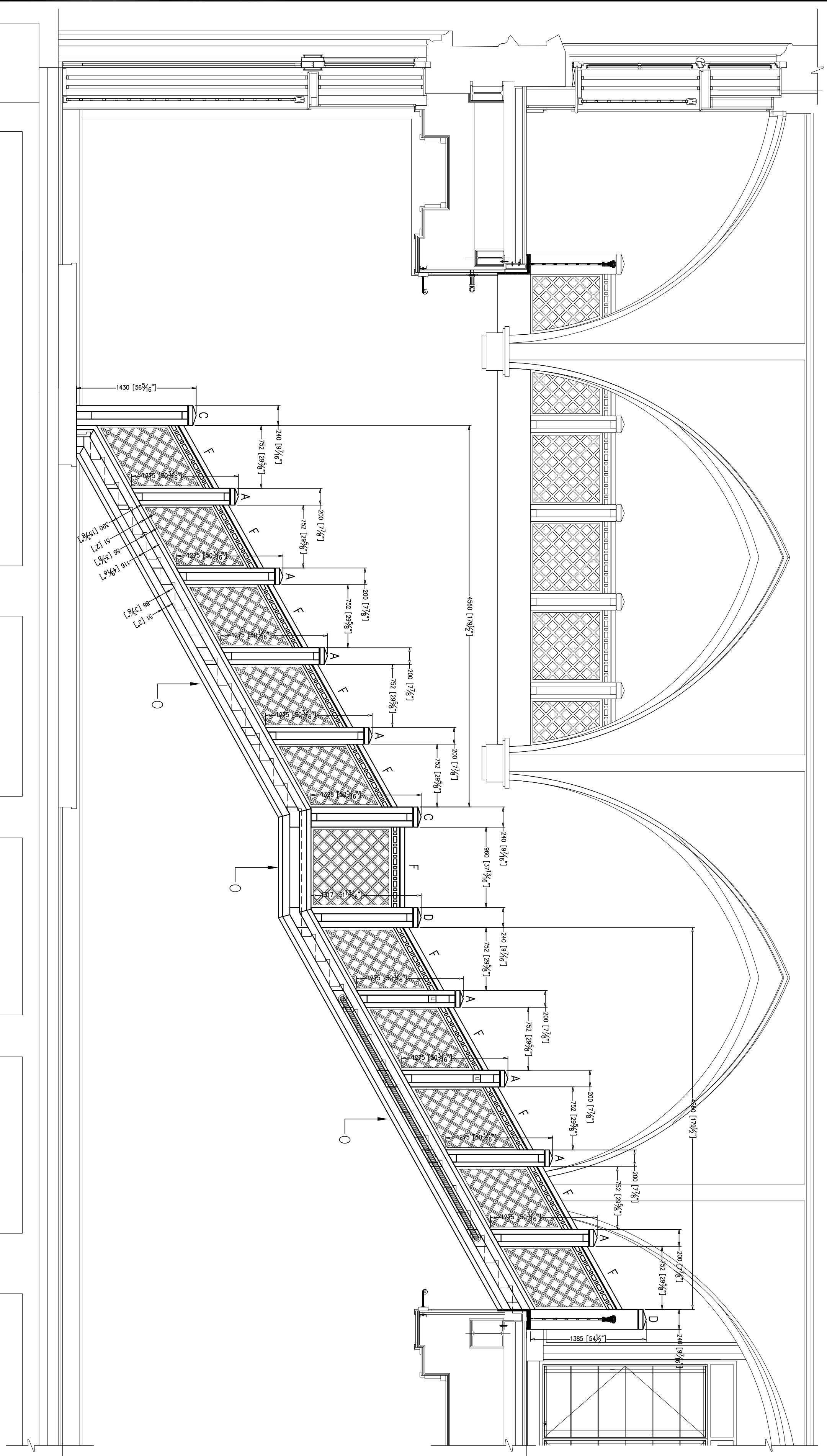
PROJECT LOCATION
POST STRASSE 11
20254 HAMBURG, GERMANY

PROJECT CONTACT
PROJECT CONTACT PHONE

DRAWING DESCRIPTION

REVISION	INITIALS	REVISION DATE

DRAWN BY	SD	DATE	-----
DRAWING NUMBER	A1.2		



“C” ELEV VIEW
MAIN STAIR CASE

SPECIFICATIONS

WOOD MILLWORK	CONSTRUCTION
SOLID WOOD	
WD-1A White Oak (Rift Cut)	
CABINET INTERIOR	
PLASTIC LAMINATES	
EDGE BAND	
VENEERS	
FINISHES	
CABINET DOOR	
STYLE: ---	
EDGE: ---	
PANEL: ---	
STYLE: ---	
EDGE: ---	
PANEL: ---	
HARDWARE	
HINGE: ---	
DOOR PULL: ---	
DRAWER PULL: ---	
DWR. SLIDE: ---	
SHELF CLIP: ---	
GROMMET: ---	
FINISHED TOE KICK	
INSTALLATION	

PROJECT NUMBER	WORK ORDER
---	---

Project Name
Abercrombie & Fitch
MONUMENTAL STAIR

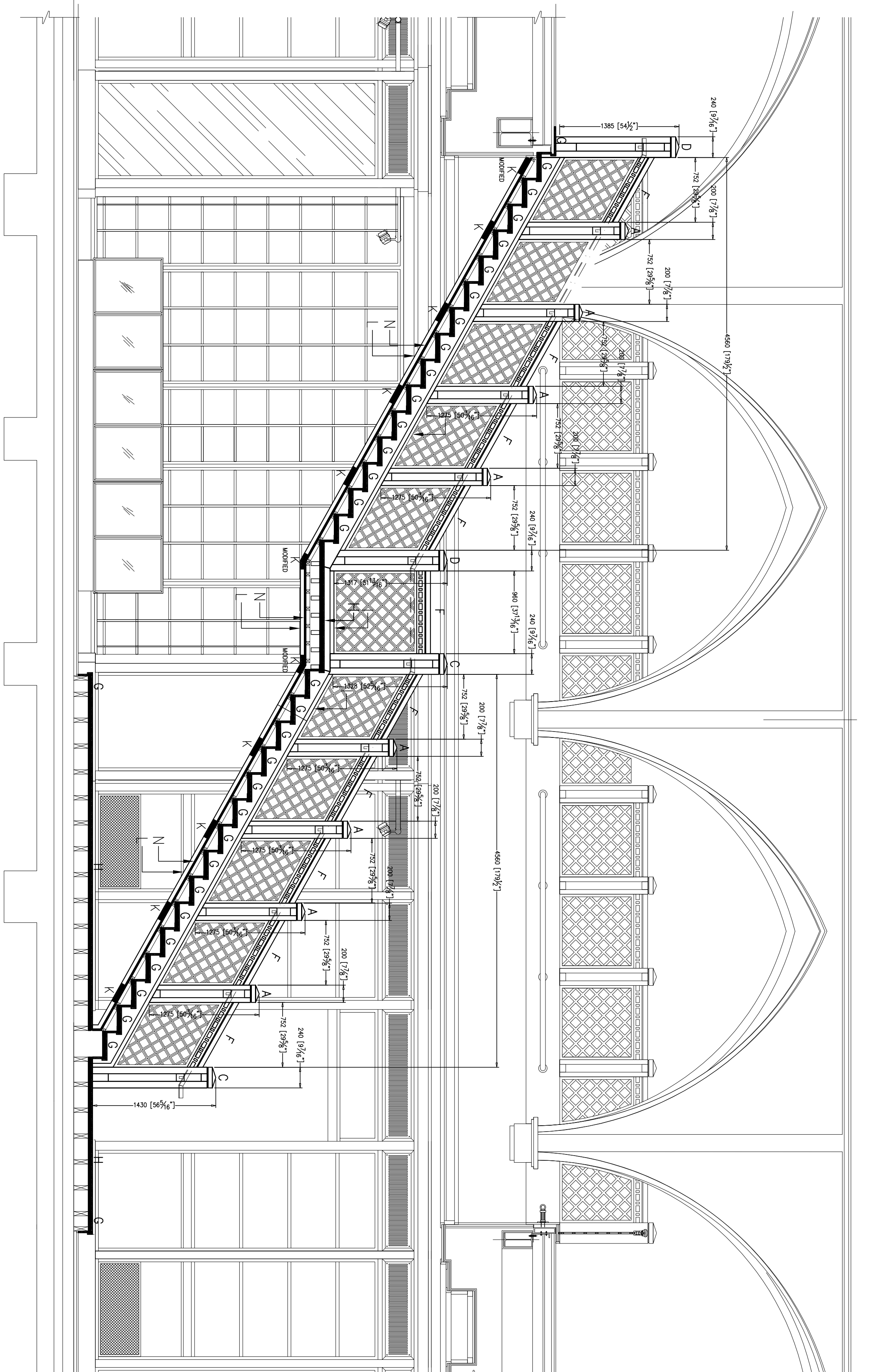
Project Location
POST STRASSE 11
20254 HAMBURG, GERMANY

Project Contact
PROJECT CONTACT PHONE

Drawing Description

REVISION	INITIALS	REVISION DATE

DRAWN BY	DATE
SD	---
DRAWING NUMBER	
A1.3	



“D” ELEV VIEW
MAIN STAIR CASE

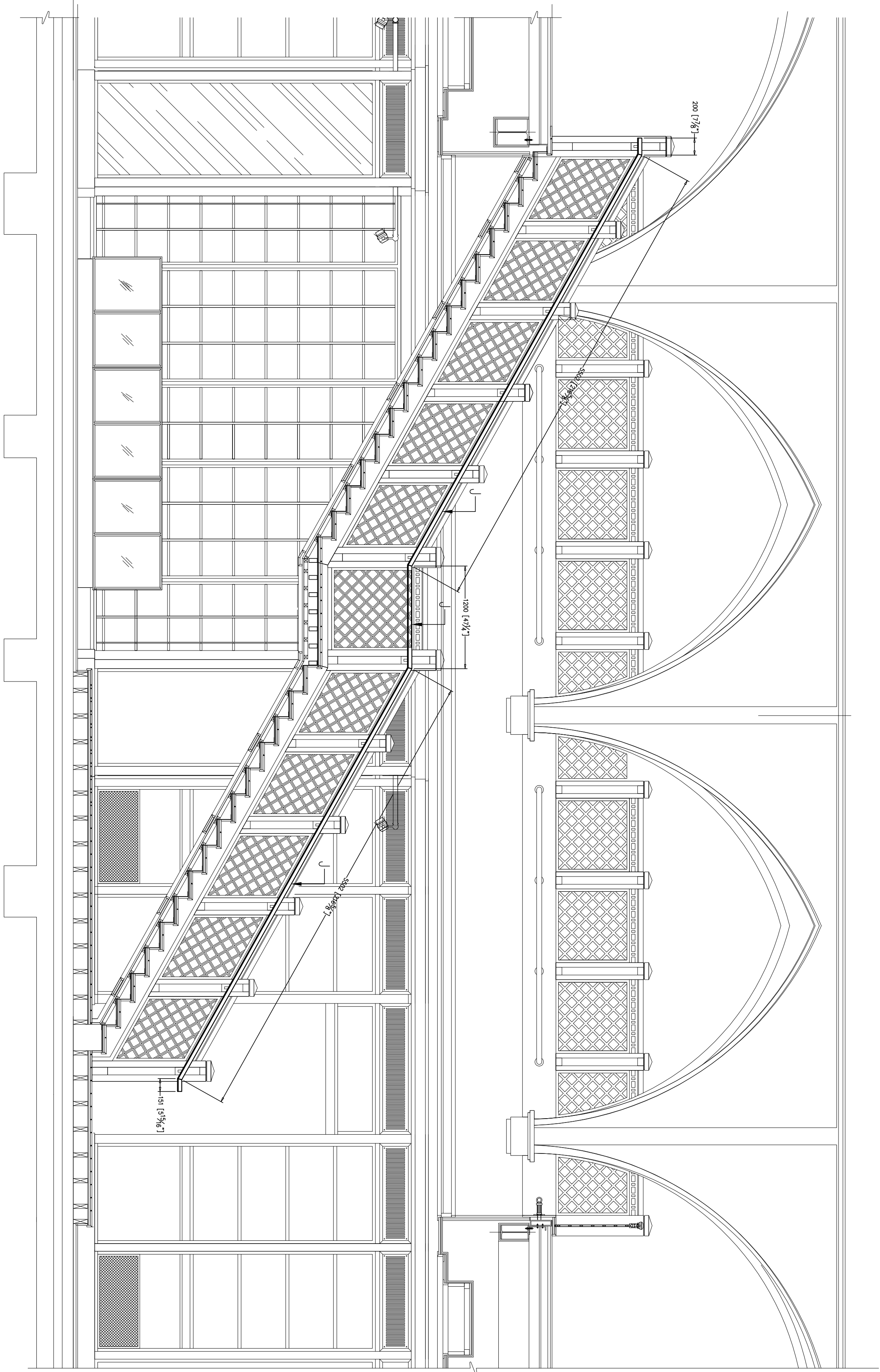
SPECIFICATIONS

WOOD MILLWORK	CONSTRUCTION
SOLID WOOD	
WD-1A White Oak (Rift Cut)	
CABINET INTERIOR	
PLASTIC LAMINATES	
EDGE BAND	
VENEERS	
FINISHES	
CABINET DOOR	
STYLE: ---	
EDGE: ---	
PANEL: ---	
STYLE: ---	
EDGE: ---	
PANEL: ---	
HARDWARE	
HINGE: ---	
DOOR PULL: ---	
DRAWER PULL: ---	
DWR. SLIDE: ---	
SHELF CLIP: ---	
GROMMET: ---	
FINISHED TOE KICK	
INSTALLATION	

PROJECT NUMBER: --- WORK ORDER: ---
 PROJECT NAME: **Abercrombie & Fitch MONUMENTAL STAIR**
 PROJECT LOCATION: **POST STRASSE 11 20254 HAMBURG, GERMANY**
 PROJECT CONTACT: ---
 PROJECT CONTACT PHONE: ---
 DRAWING DESCRIPTION: ---
 REVISION: ---

REVISION	INITIALS	REVISION DATE

DRAWN BY: **SD** DATE: ---
 DRAWING NUMBER: **A1.4**



“E” ELEV VIEW
MAIN STAIR CASE

SPECIFICATIONS

WOOD MILLWORK	CONSTRUCTION
SOLID WOOD	
WD-1A White Oak (Rift Cut)	
CABINET INTERIOR	
PLASTIC LAMINATES	
EDGE BAND	
VENEERS	
FINISHES	
CABINET DOOR	
STYLE: -----	
EDGE: -----	
PANEL: -----	
STYLE: -----	
EDGE: -----	
PANEL: -----	
HARDWARE	
HINGE: -----	
DOOR PULL: -----	
DRAWER PULL: -----	
DWR. SLIDE: -----	
SHELF CLIP: -----	
GROMMET: -----	
FINISHED TOE KICK	
INSTALLATION	

PROJECT NUMBER	WORK ORDER
-----	-----

Project Name
Abercrombie & Fitch
MONUMENTAL STAIR

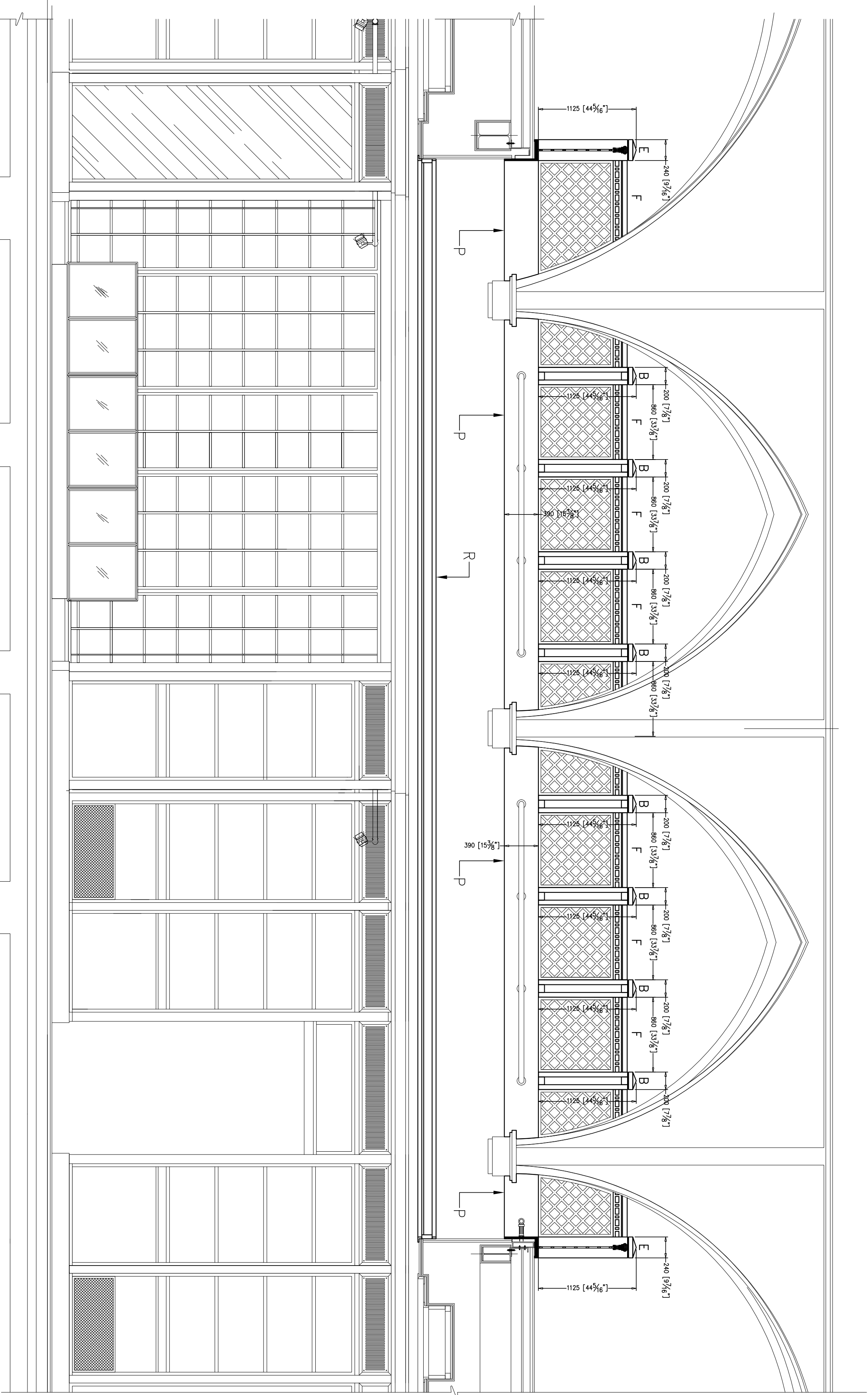
Project Location
POST STRASSE 11
20254 HAMBURG, GERMANY

Project Contact
PROJECT CONTACT PHONE

DRAWING DESCRIPTION

REVISION	INITIALS	REVISION DATE

Drawn by SD **DATE** -----
Drawing Number A1.5



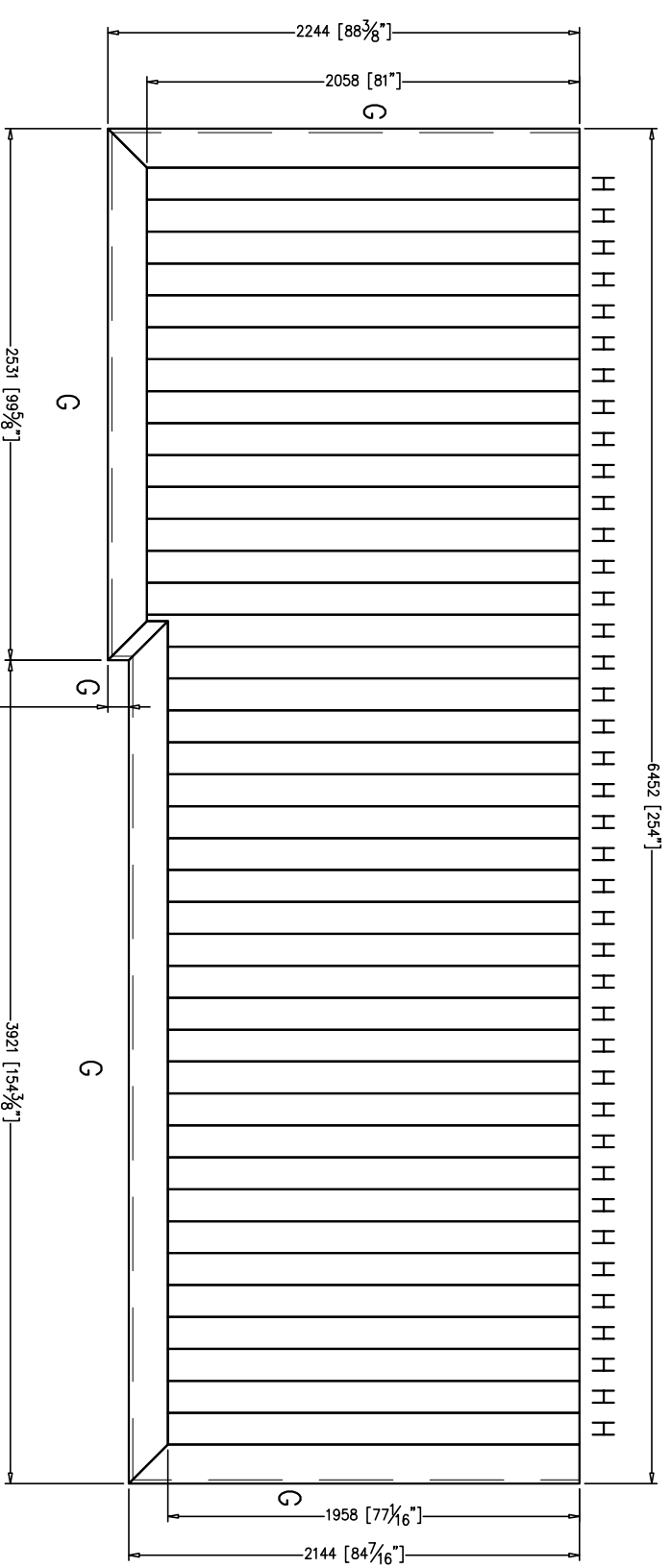
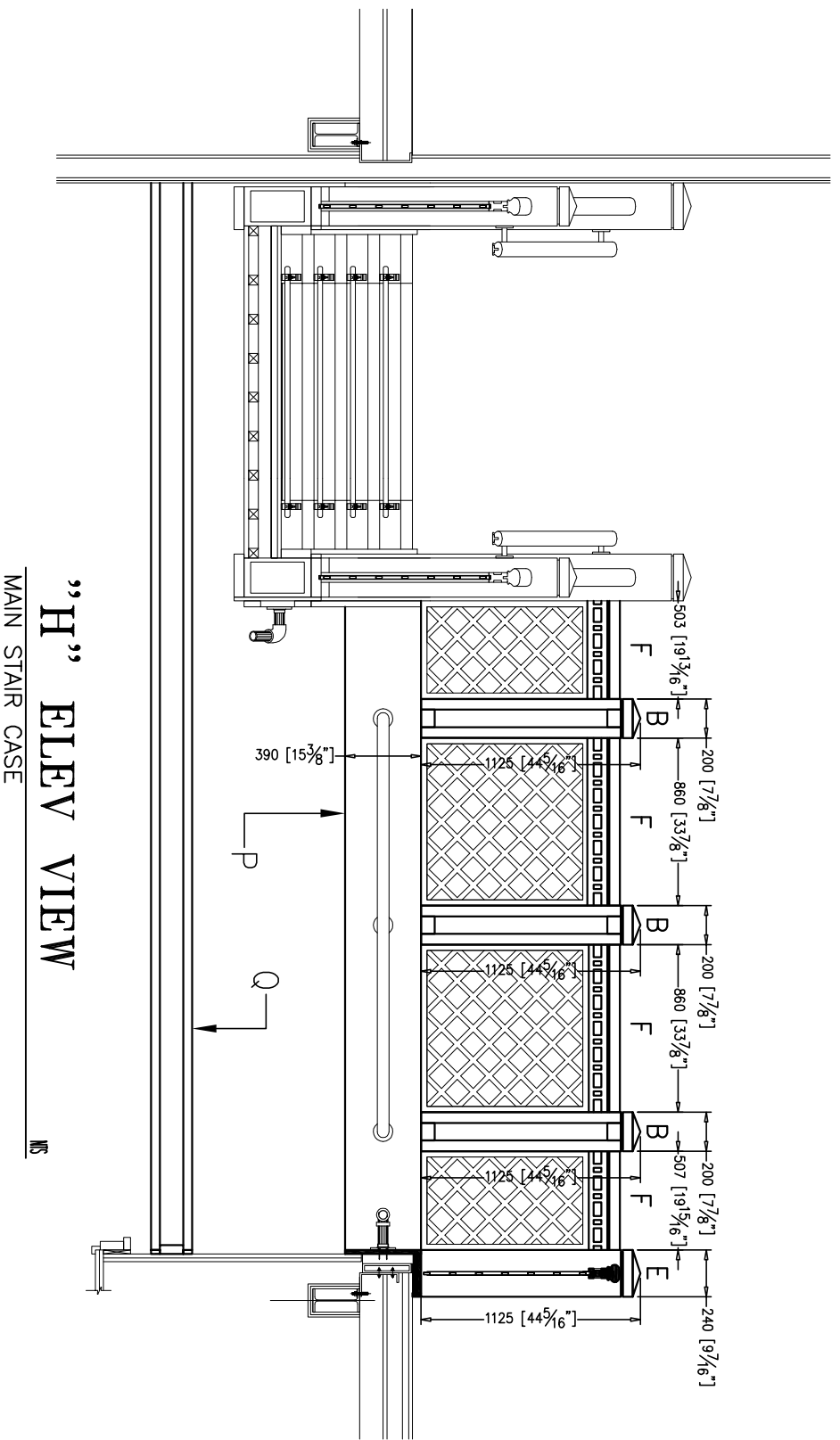
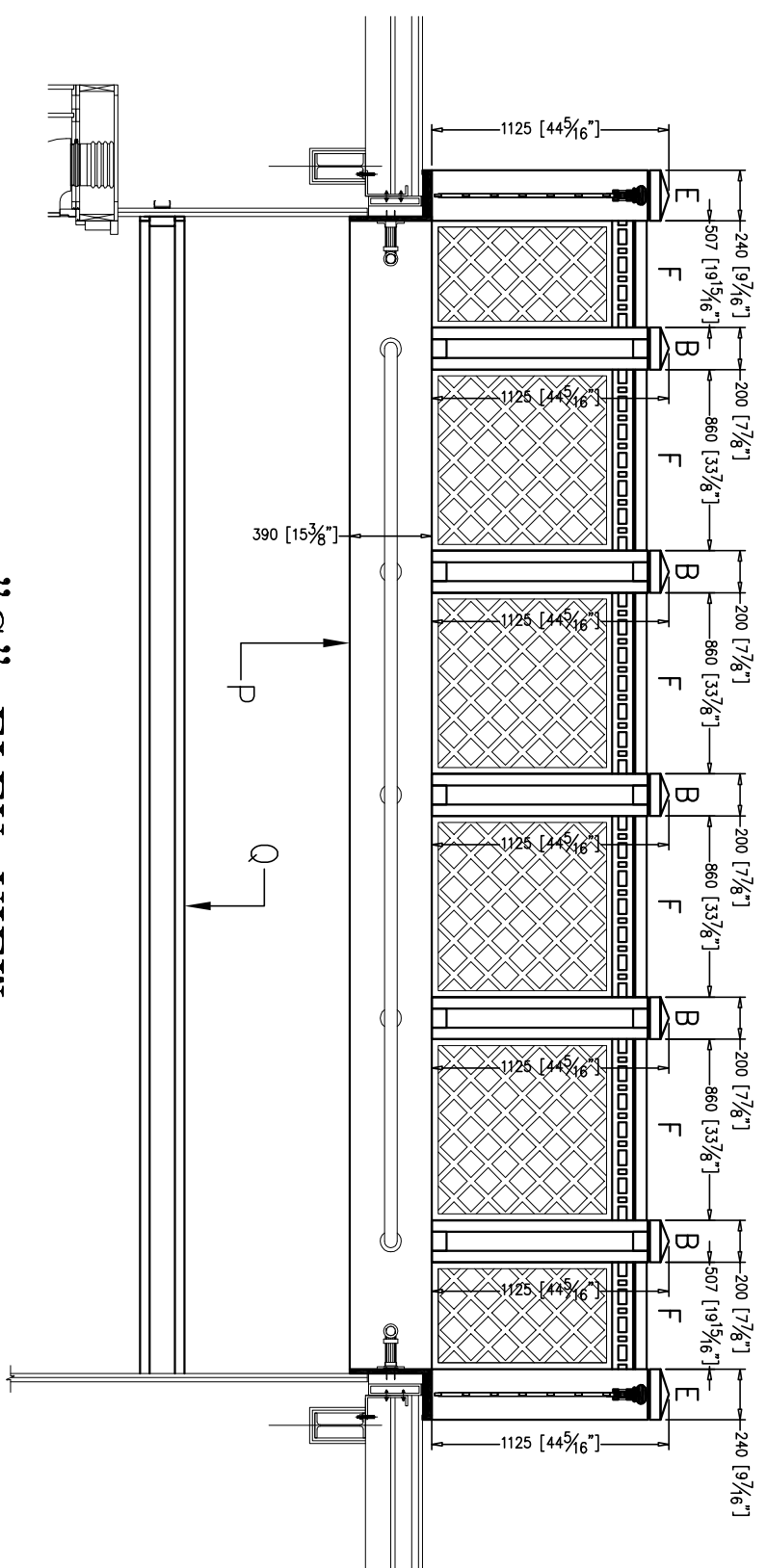
"F" ELEV VIEW
MAIN STAIR CASE

SPECIFICATIONS

WOOD MILLWORK	CONSTRUCTION
SOLID WOOD	WD-1A White Oak (Rift Cut)
CABINET INTERIOR	PLASTIC LAMINATES
EDGE BAND	VENEERS
FINISHES	CABINET DOOR
DRAWER FRONT	HARDWARE
HINGE: ---	DOOR PULL: ---
DRAWER PULL: ---	DWR. SLIDE: ---
SHELF CLIP: ---	GROMMET: ---
FINISHED TOE KICK	INSTALLATION

PROJECT NUMBER: --- WORK ORDER: ---
 PROJECT NAME: **Abercrombie & Fitch MONUMENTAL STAIR**
 PROJECT LOCATION: **POST STRASSE 11 20254 HAMBURG, GERMANY**
 PROJECT CONTACT: ---
 PROJECT CONTACT PHONE: ---
 DRAWING DESCRIPTION: ---
 REVISION: --- INITIALS: --- REVISION DATE: ---

DRAWN BY: **SD** DATE: ---
 DRAWING NUMBER: **A1.6**



SPECIFICATIONS

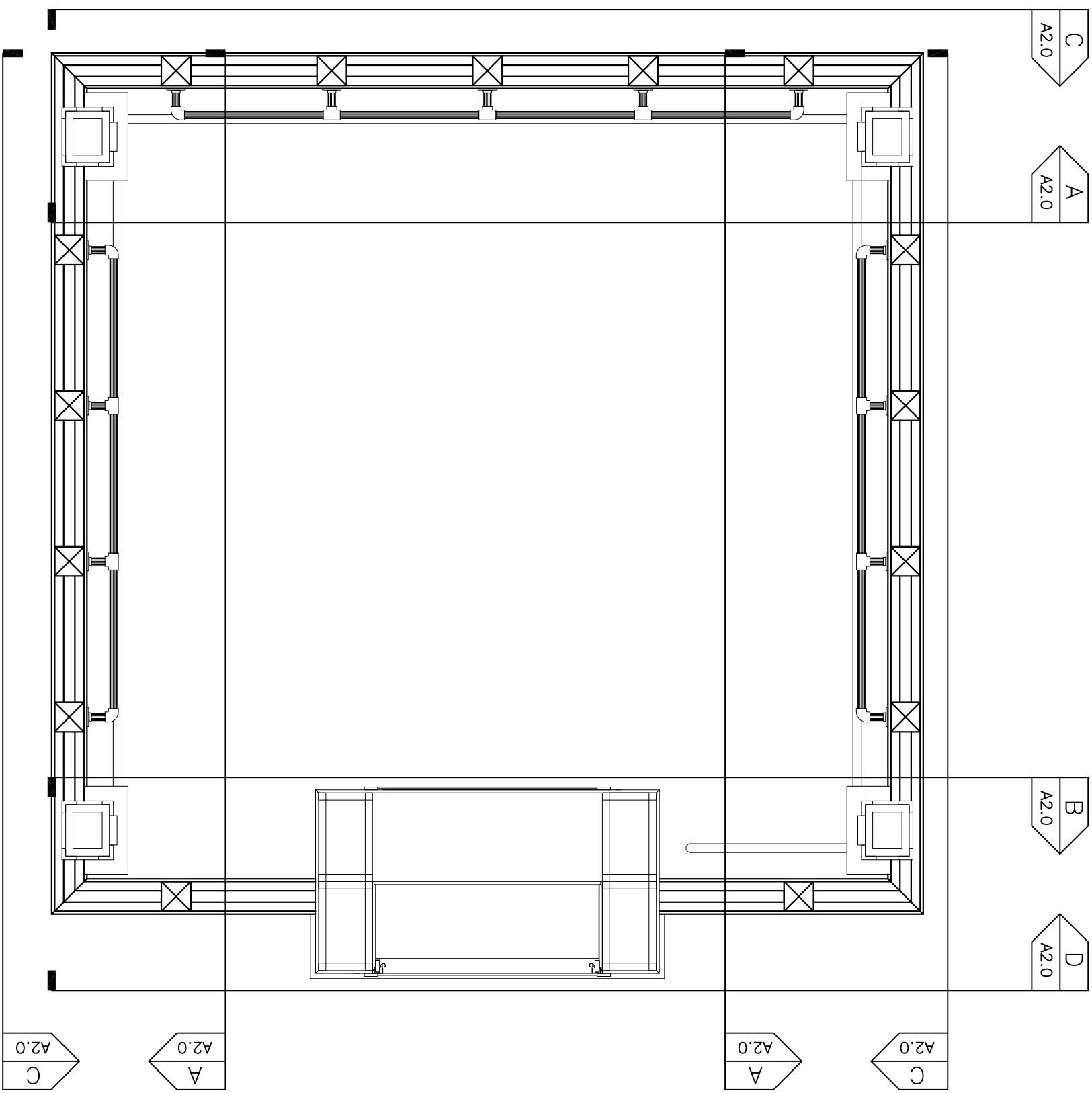
WOOD MILLWORK
CONSTRUCTION
SOLID WOOD
WD-1A White Oak (Rift Cut)
CABINET INTERIOR
PLASTIC LAMINATES
EDGEBOARD
VENEERS
FINISHES
CABINET DOOR
DRAWER FRONT
HARDWARE
HINGE: ----
DOOR PULL: ----
DRAWER PULL: ----
DWR. SLIDE: ----
SHELF CLIP: ----
GROMMET: ----
FINISHED TOE KICK
INSTALLATION

PROJECT NUMBER: ---- WORK ORDER: ----
 PROJECT NAME: **Abercrombie & Fitch**
MONUMENTAL STAIR

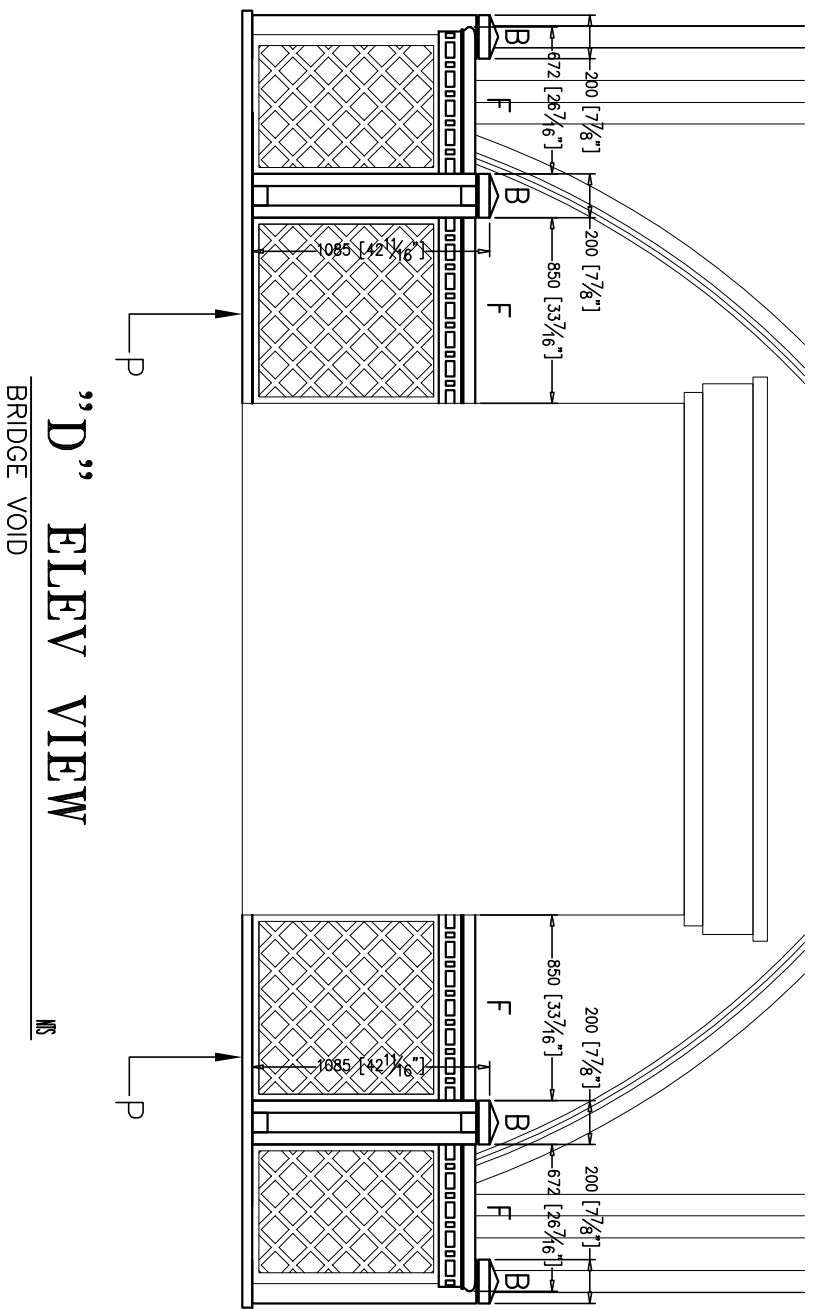
PROJECT LOCATION: **POST STRASSE 11**
20254 HAMBURG, GERMANY
 PROJECT CONTACT: ----
 PROJECT CONTACT PHONE: ----
 DRAWING DESCRIPTION: ----

REVISION	INITIALS	REVISION DATE

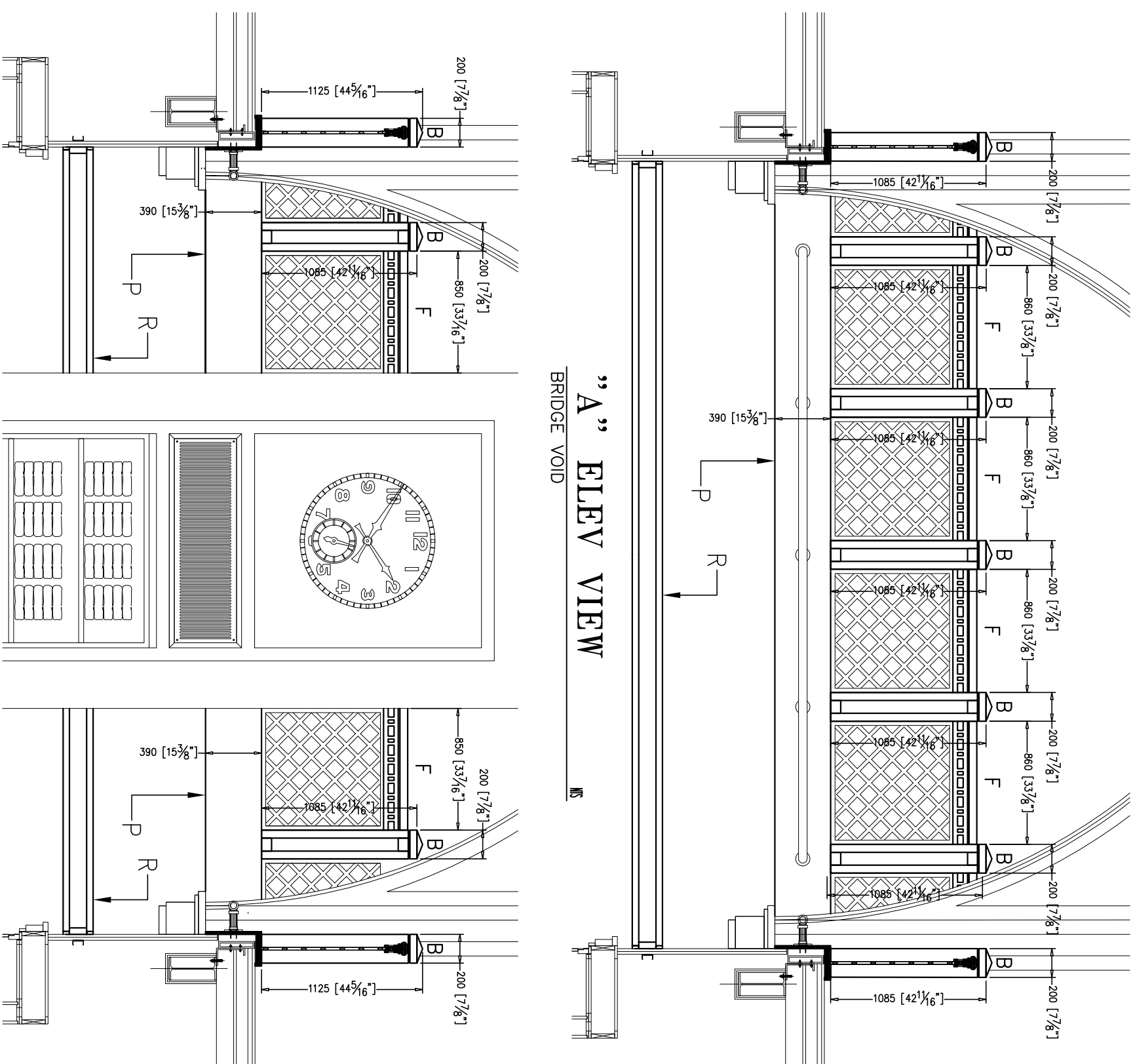
DRAWN BY: **SD** DATE: ----
 DRAWING NUMBER: **A1.7**



PLAN VIEW
BRIDGE VOID

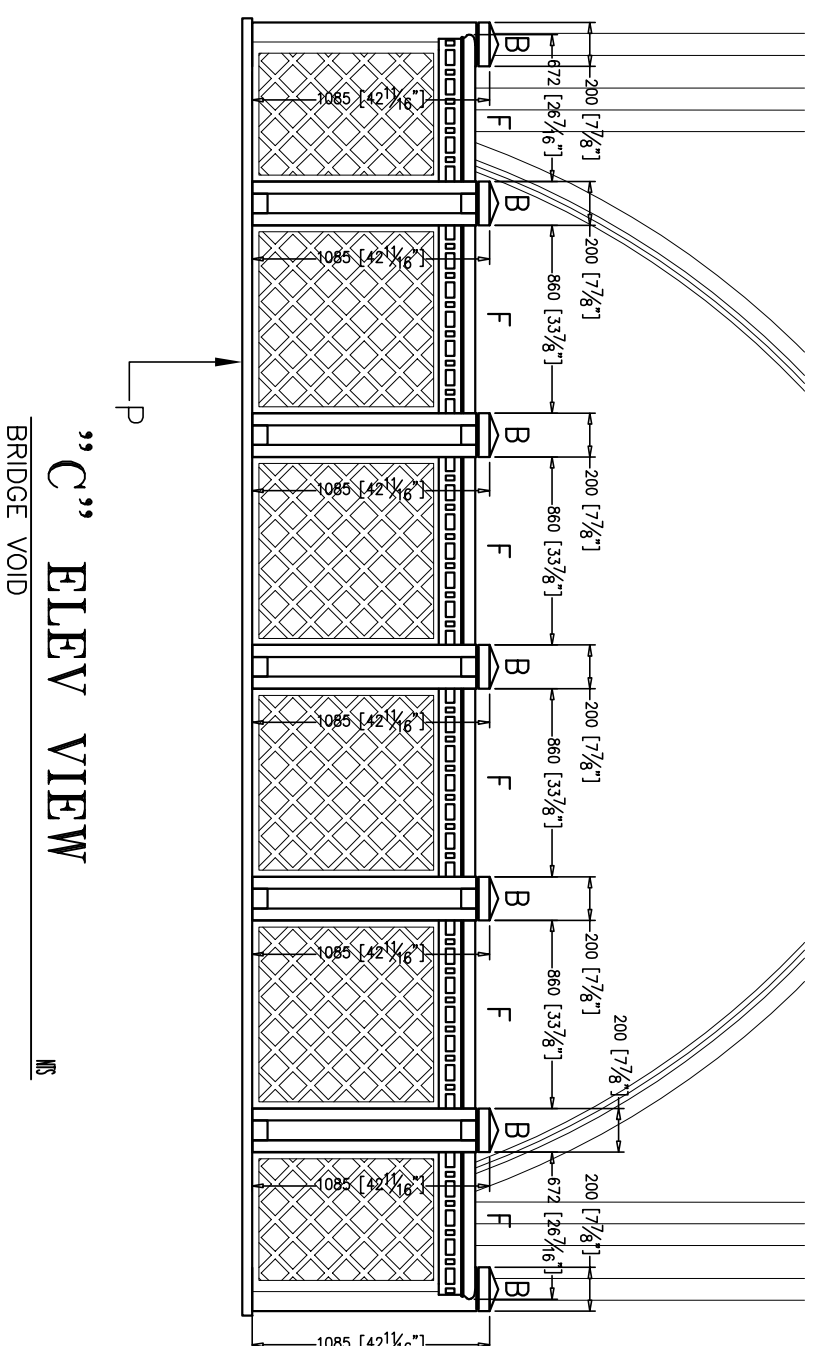


"D" ELEV VIEW
BRIDGE VOID



"A" ELEV VIEW
BRIDGE VOID

"B" ELEV VIEW
BRIDGE VOID



"C" ELEV VIEW
BRIDGE VOID

SPECIFICATIONS

WOOD MILLWORK
CONSTRUCTION
SOLID WOOD
WD-1A White Oak (Rift Cut)
CABINET INTERIOR
PLASTIC LAMINATES
EDGEBOARD
VENEERS
FINISHES
CABINET DOOR
STYLE: ---
EDGE: ---
PANEL: ---
DRAWER FRONT
STYLE: ---
EDGE: ---
PANEL: ---
HARDWARE
HINGE: ---
DOOR PULL: ---
DRAWER PULL: ---
DWR. SLIDE: ---
SHELF CLIP: ---
GROMMET: ---
FINISHED TOE KICK
INSTALLATION

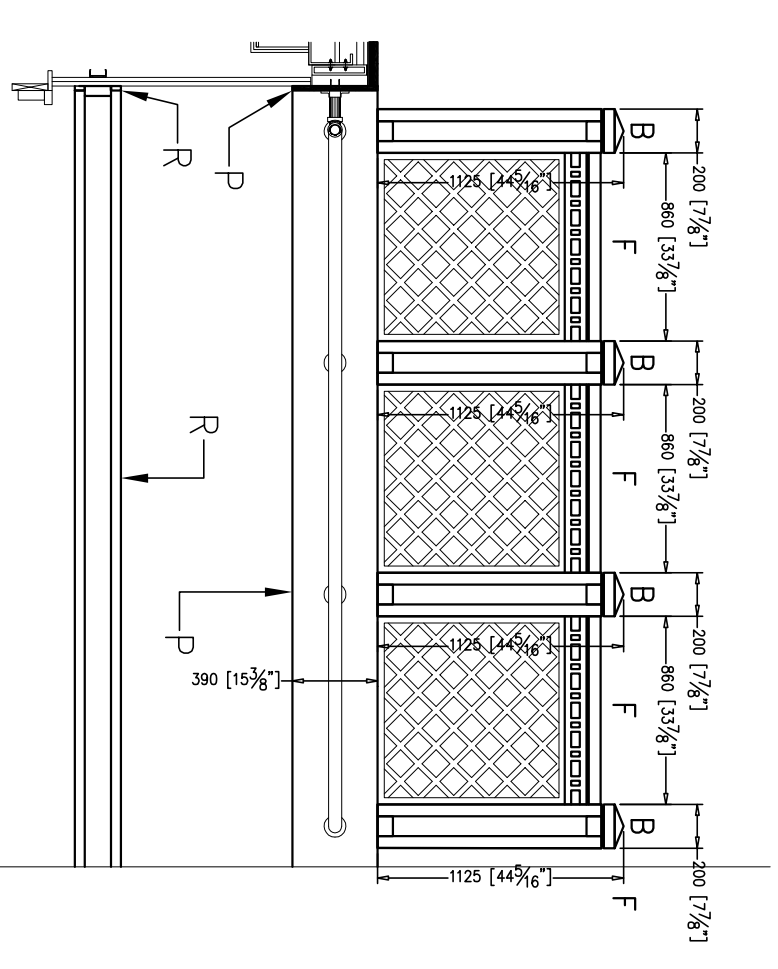
PROJECT NUMBER: --- WORK ORDER: ---
 PROJECT NAME: **Abercrombie & Fitch MONUMENTAL STAIR**
 PROJECT LOCATION: **POST STRASSE 11 20254 HAMBURG, GERMANY**
 PROJECT CONTACT: ---
 PROJECT CONTACT PHONE: ---

REVISION	INITIALS	REVISION DATE

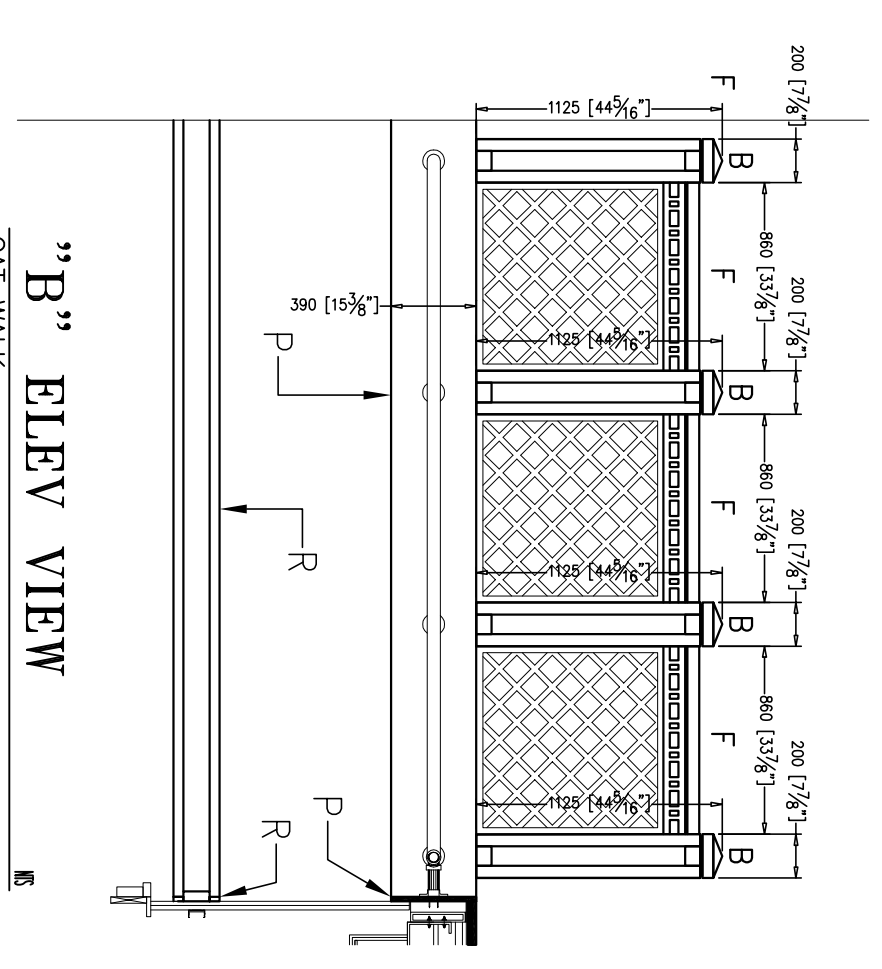
DRAWN BY: **SD** DATE: ---
 DRAWING NUMBER: **A2.0**

SPECIFICATIONS

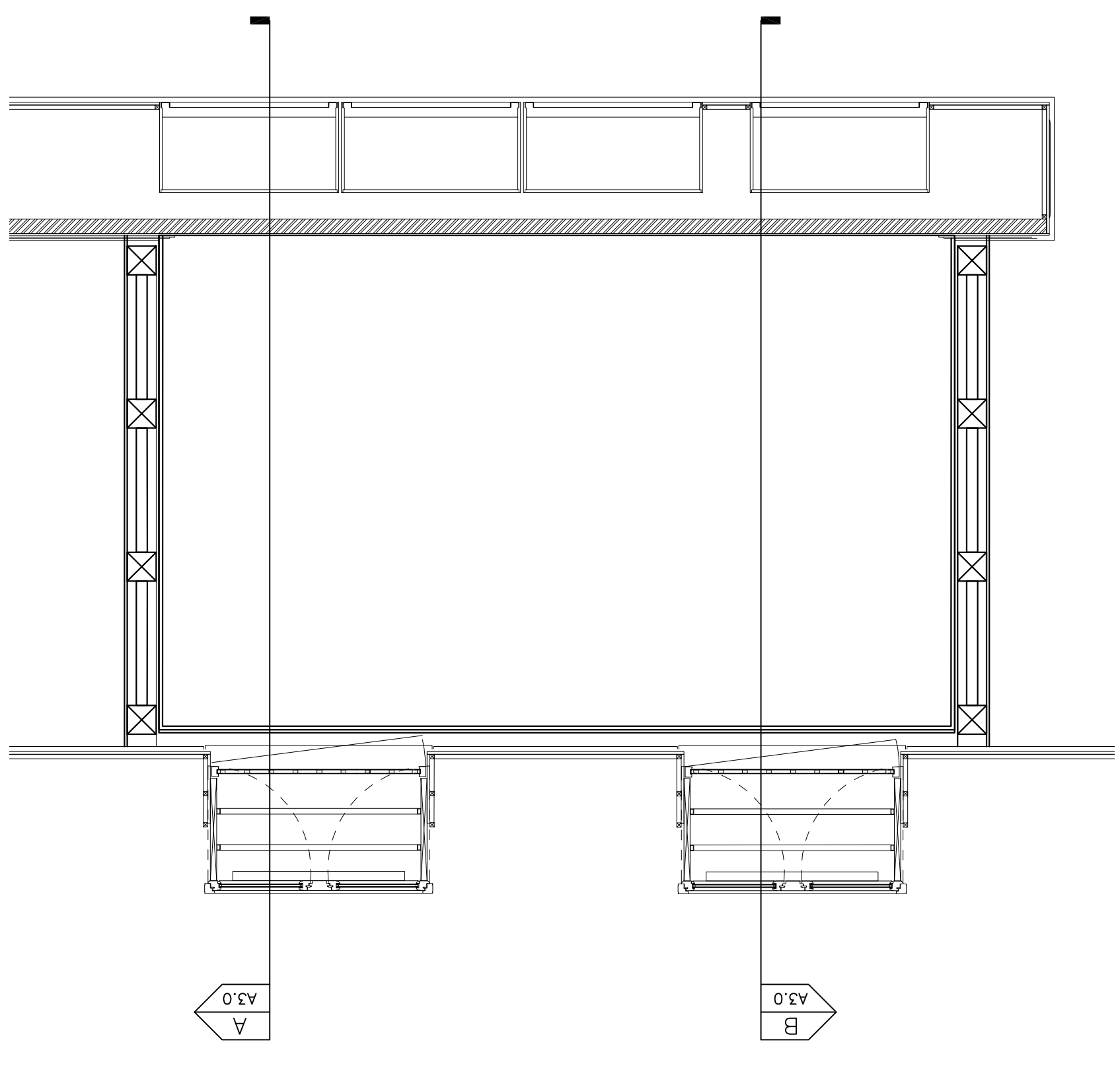
WOOD MILLWORK	CONSTRUCTION
SOLID WOOD	WD-1A White Oak (Rift Cut)
CABINET INTERIOR	PLASTIC LAMINATES
EDGEBOARD	VENEERS
FINISHES	CABINET DOOR
HARDWARE	FINISHED TOE KICK
INSTALLATION	



“A” ELEV VIEW
CAT WALK



“B” ELEV VIEW
CAT WALK

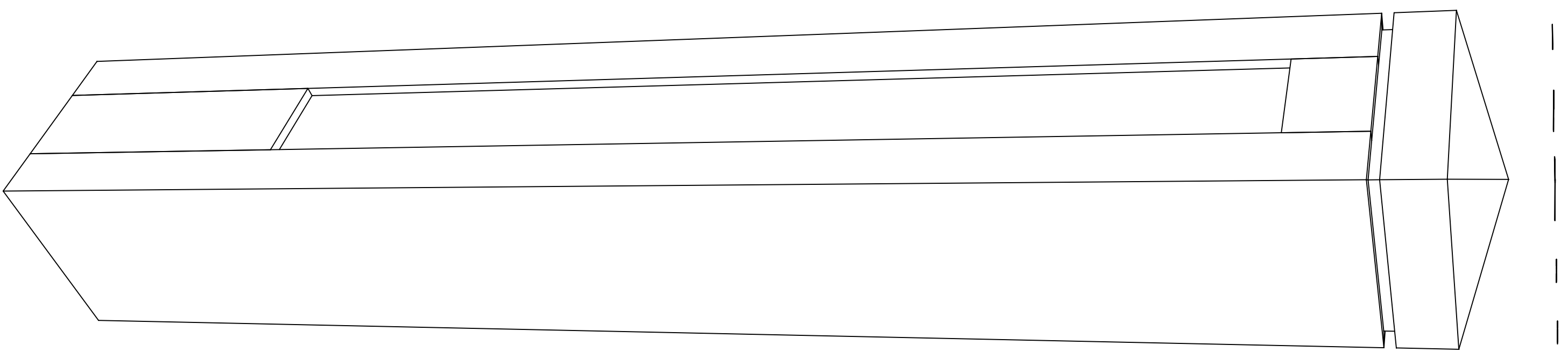


PLAN VIEW
CAT WALK

PROJECT NUMBER	WORK ORDER	
PROJECT NAME	Abercrombie & Fitch MONUMENTAL STAIR	
PROJECT LOCATION	POST STRASSE 11 20254 HAMBURG, GERMANY	
PROJECT CONTACT		
PROJECT CONTACT PHONE		
DRAWING DESCRIPTION		
REVISION	INITIALS	REVISION DATE
DRAWN BY	SD	DATE
DRAWING NUMBER	A3.0	

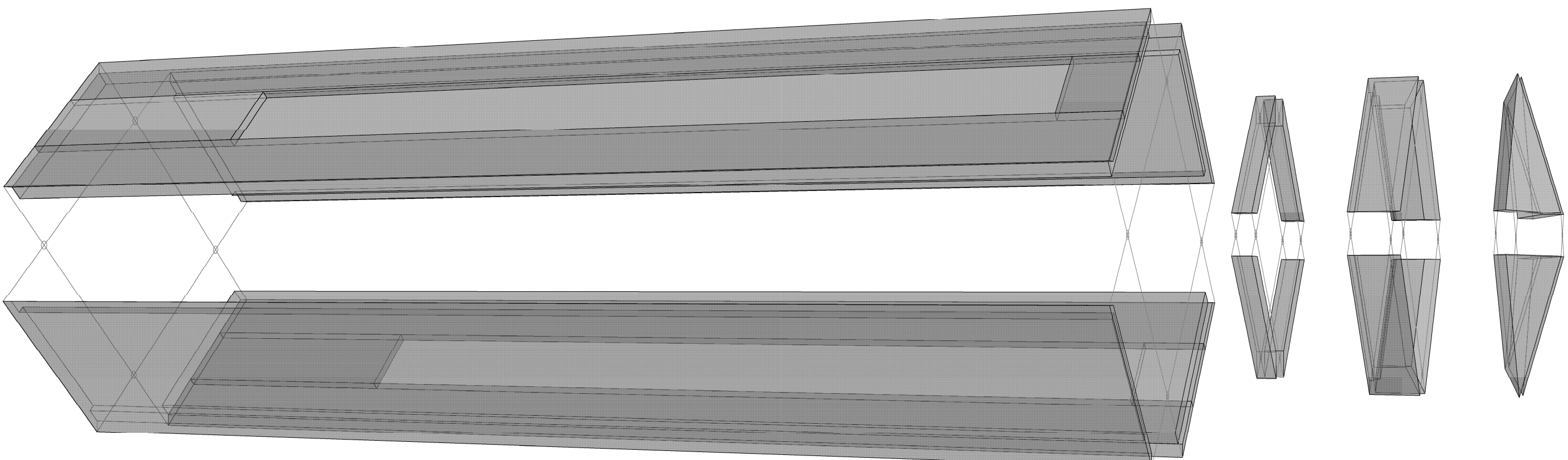
SPECIFICATIONS

WOOD MILLWORK	CONSTRUCTION
SOLID WOOD	
WD-1A White Oak (Rift Cut)	
CABINET INTERIOR	
PLASTIC LAMINATES	
EDGEBOARD	
VENEERS	
FINISHES	
CABINET DOOR	
STYLE: -----	
EDGE: -----	
PANEL: -----	
STYLE: -----	
EDGE: -----	
PANEL: -----	
HARDWARE	
HINGE: -----	
DOOR PULL: -----	
DRAWER PULL: -----	
DWR. SLIDE: -----	
SHELF CLIP: -----	
GROMMET: -----	
FINISHED TOE KICK	
INSTALLATION	



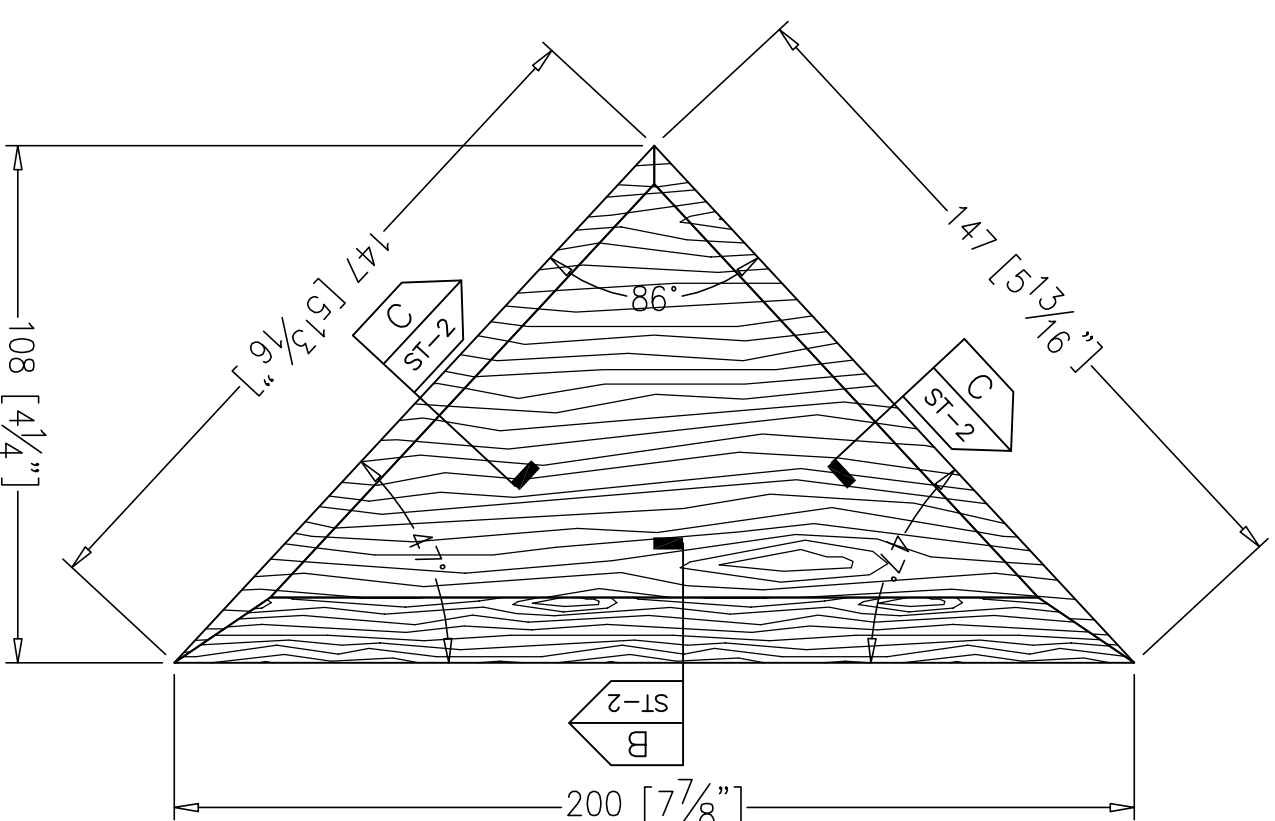
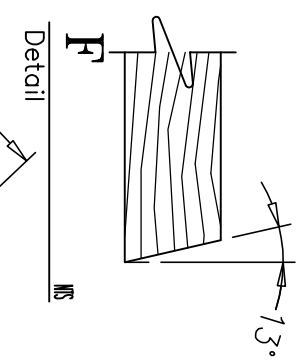
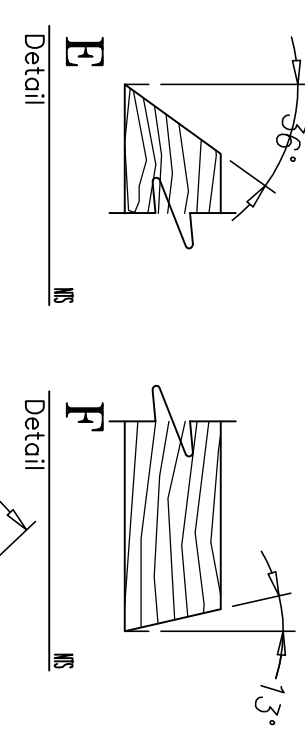
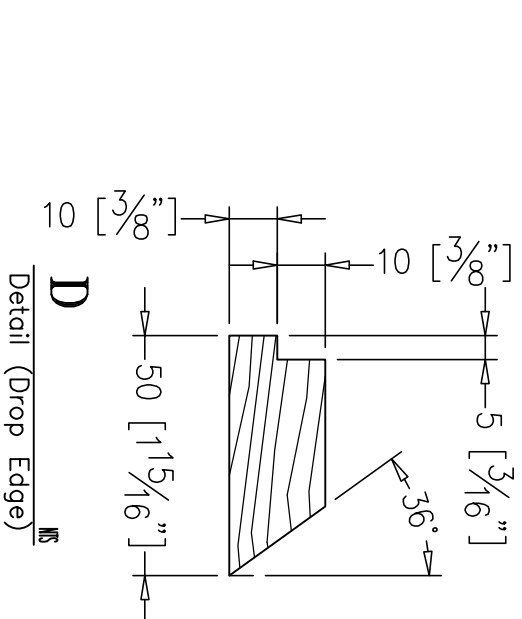
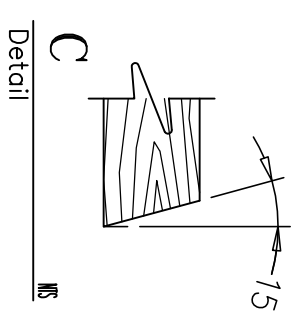
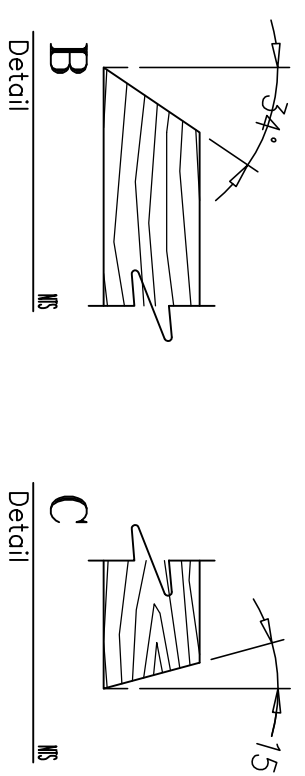
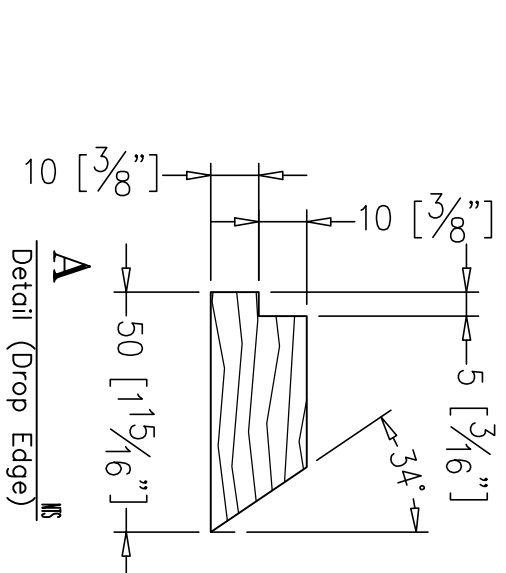
3D ISO

Typ Newel Post/Baluster

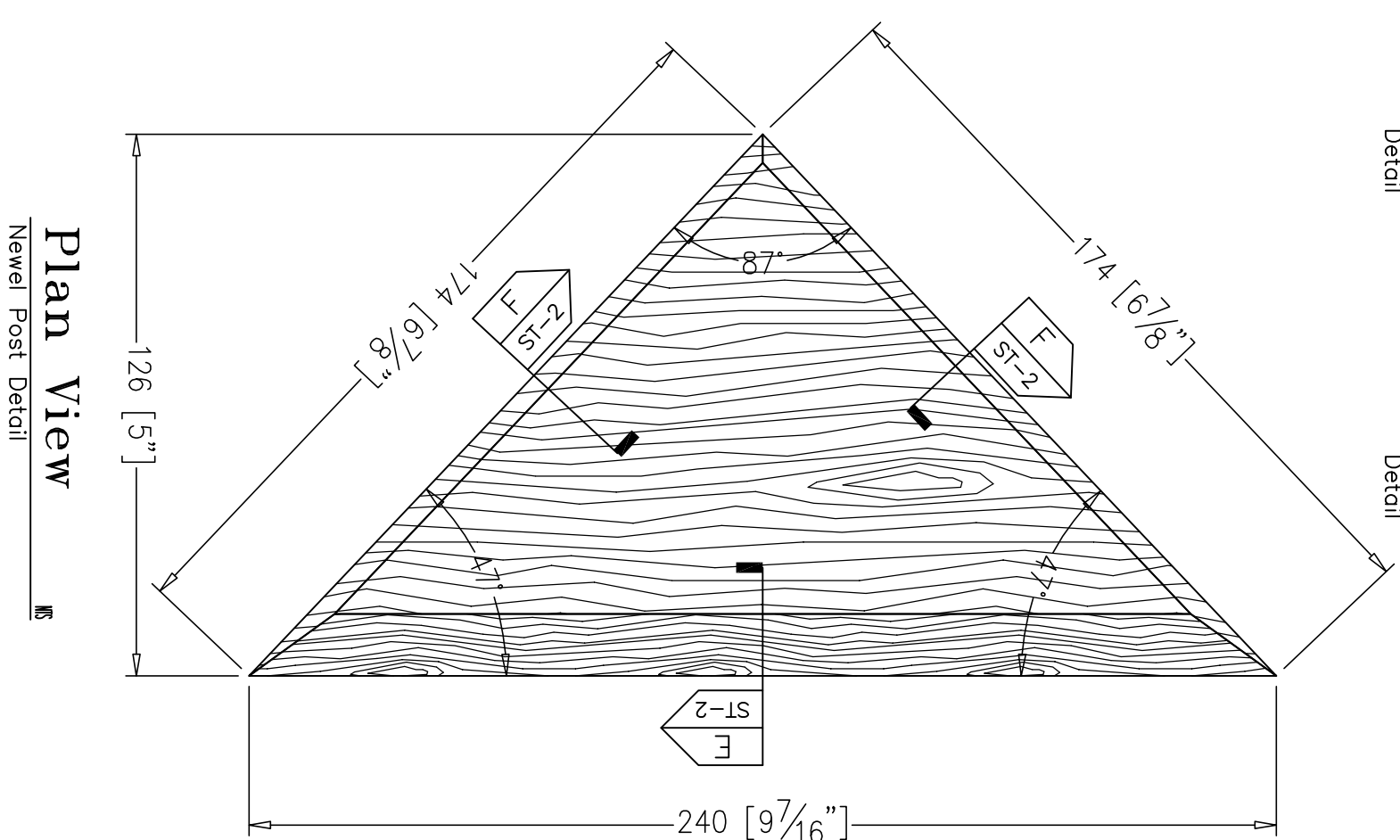


3D ISO EXPLODED

Typ Newel Post/Baluster



Plan View
Baluster Cap Detail



Plan View
Newel Post Detail

PROJECT NAME
Abercrombie & Fitch
MONUMENTAL STAIR

PROJECT LOCATION
POST STRASSE 11
20254 HAMBURG, GERMANY

PROJECT CONTACT

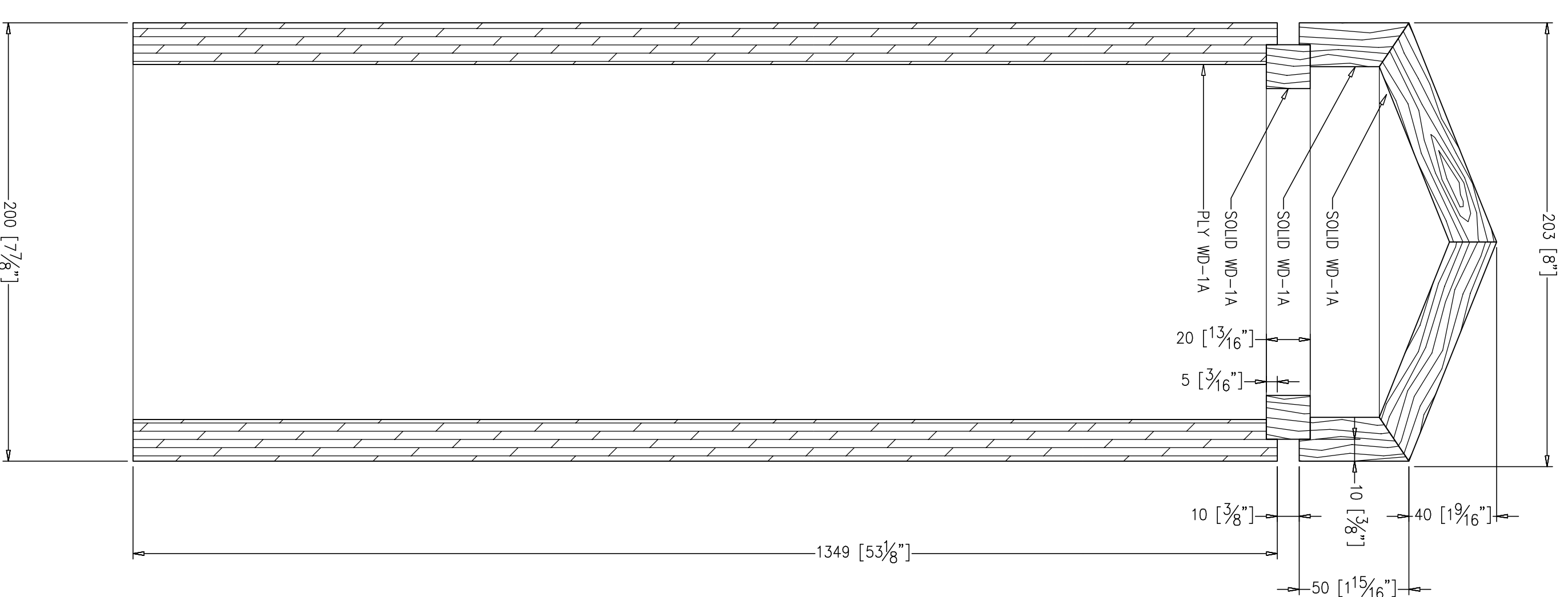
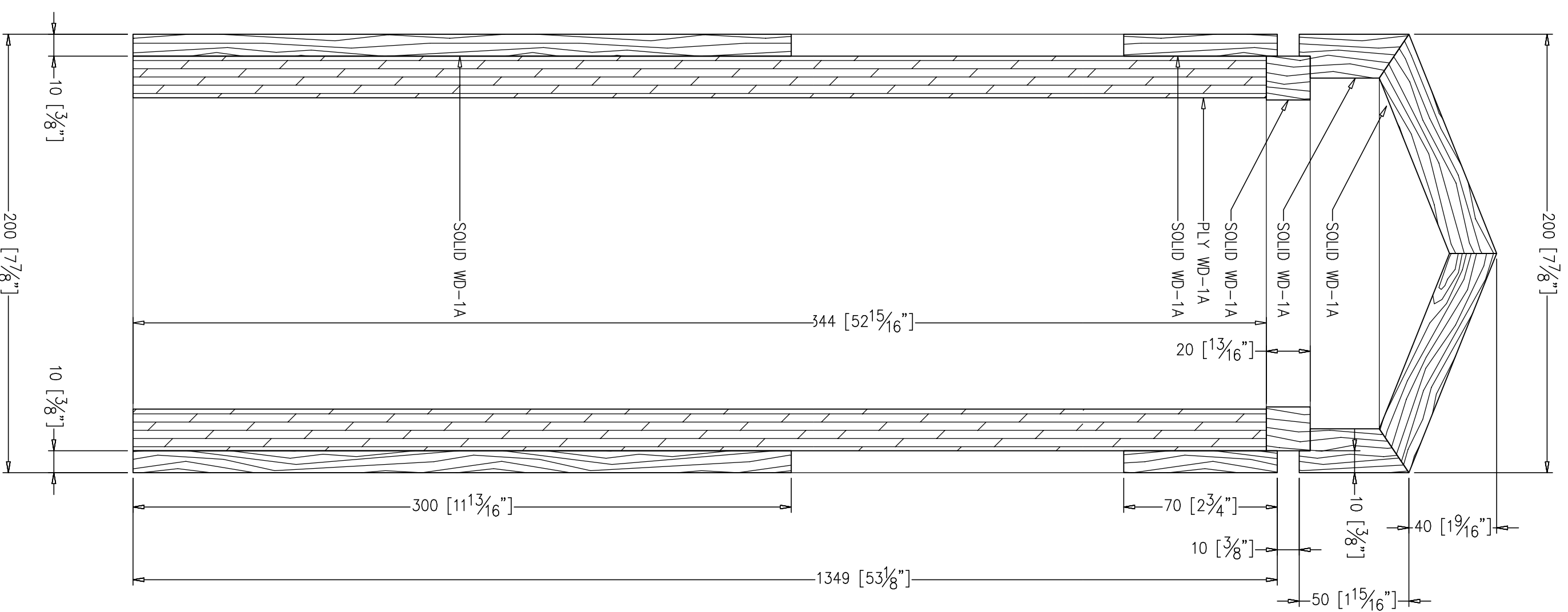
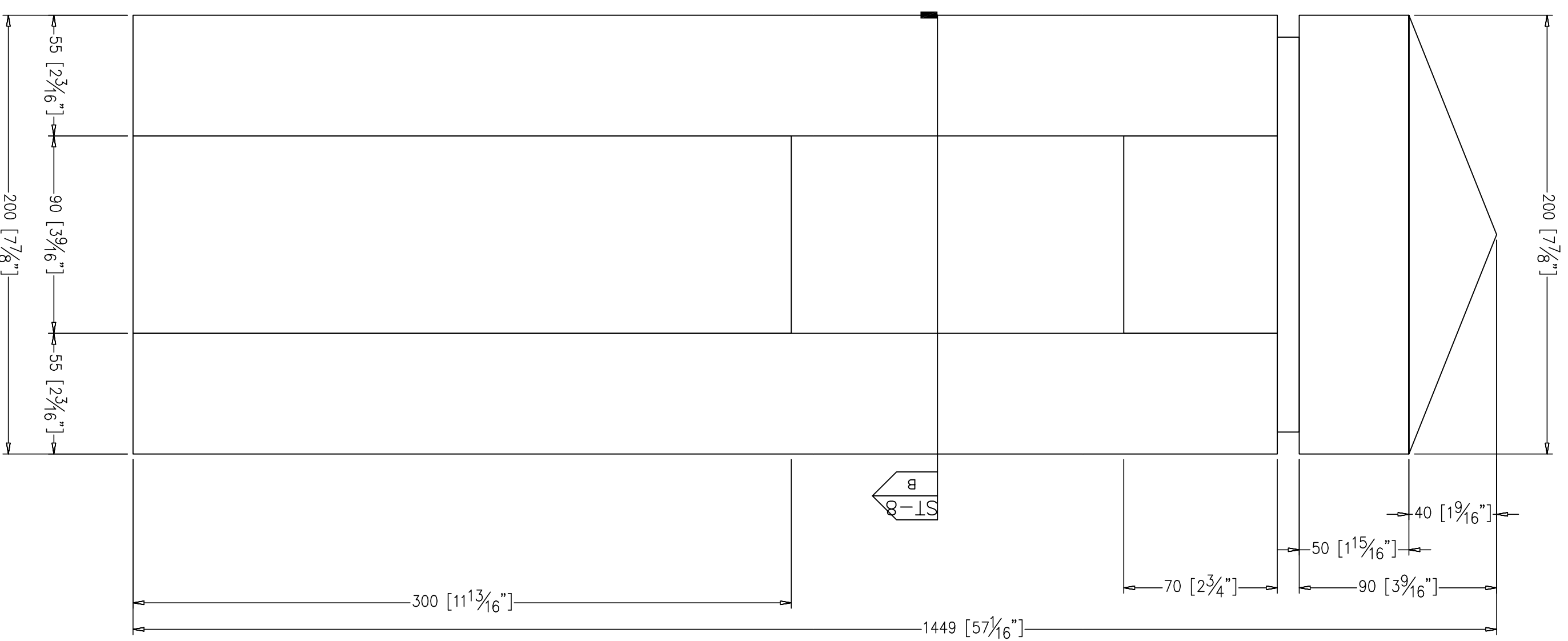
PROJECT CONTACT PHONE

DRAWING DESCRIPTION

REVISION	INITIALS	REVISION DATE

DRAWN BY SD **DATE** -----
DRAWING NUMBER ST-2

A Staircase Baluster QTY 8 (ALL INLINE)



SPECIFICATIONS

WOOD MILLWORK
SOLID WOOD
WD-1A White Oak (Rift Cut)
CABINET INTERIOR
PLASTIC LAMINATES
EDGE BAND
VENEERS
FINISHES
CABINET DOOR
STYLE: -----
EDGE: -----
PANEL: -----
DRAWER FRONT
STYLE: -----
EDGE: -----
PANEL: -----
HARDWARE
HINGE: -----
DOOR PULL: -----
DRAWER PULL: -----
DWR. SLIDE: -----
SHELF CLIP: -----
GROMMET: -----
FINISHED TOE KICK
INSTALLATION

PROJECT NUMBER: ----- WORK ORDER: -----

PROJECT NAME: **Abercrombie & Fitch MONUMENTAL STAIR**

PROJECT LOCATION: **POST STRASSE 11 20254 HAMBURG, GERMANY**

PROJECT CONTACT: -----

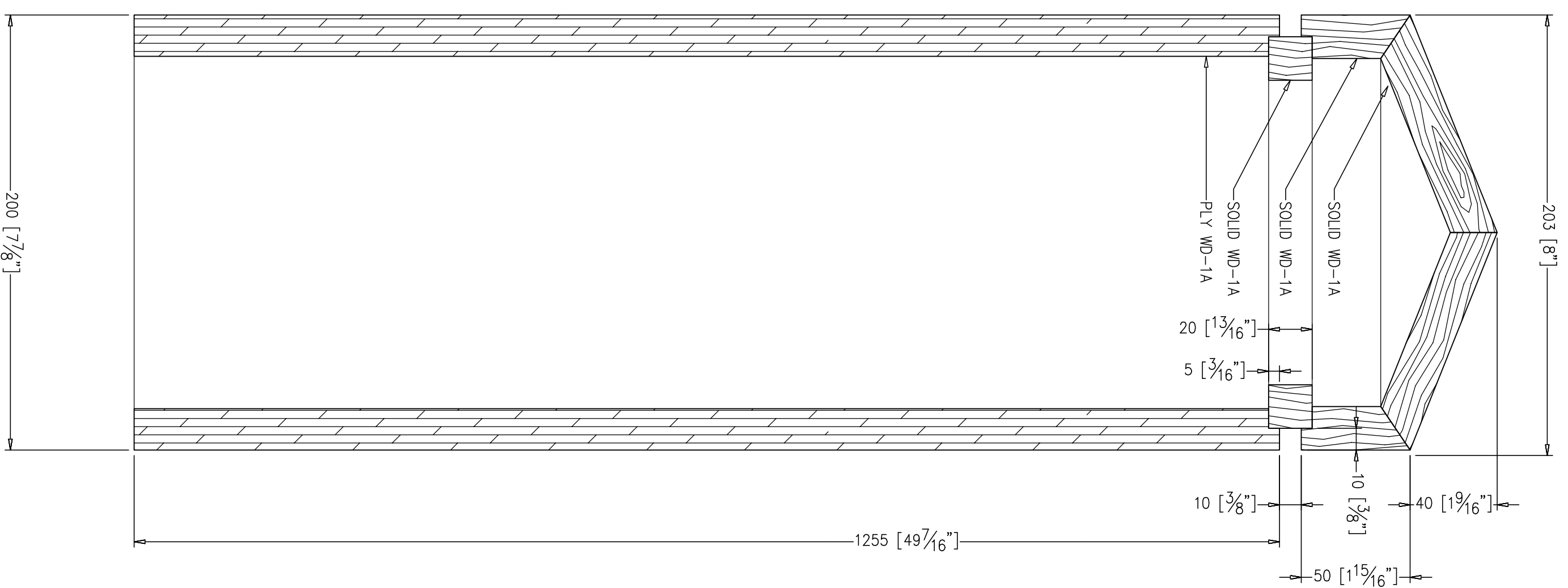
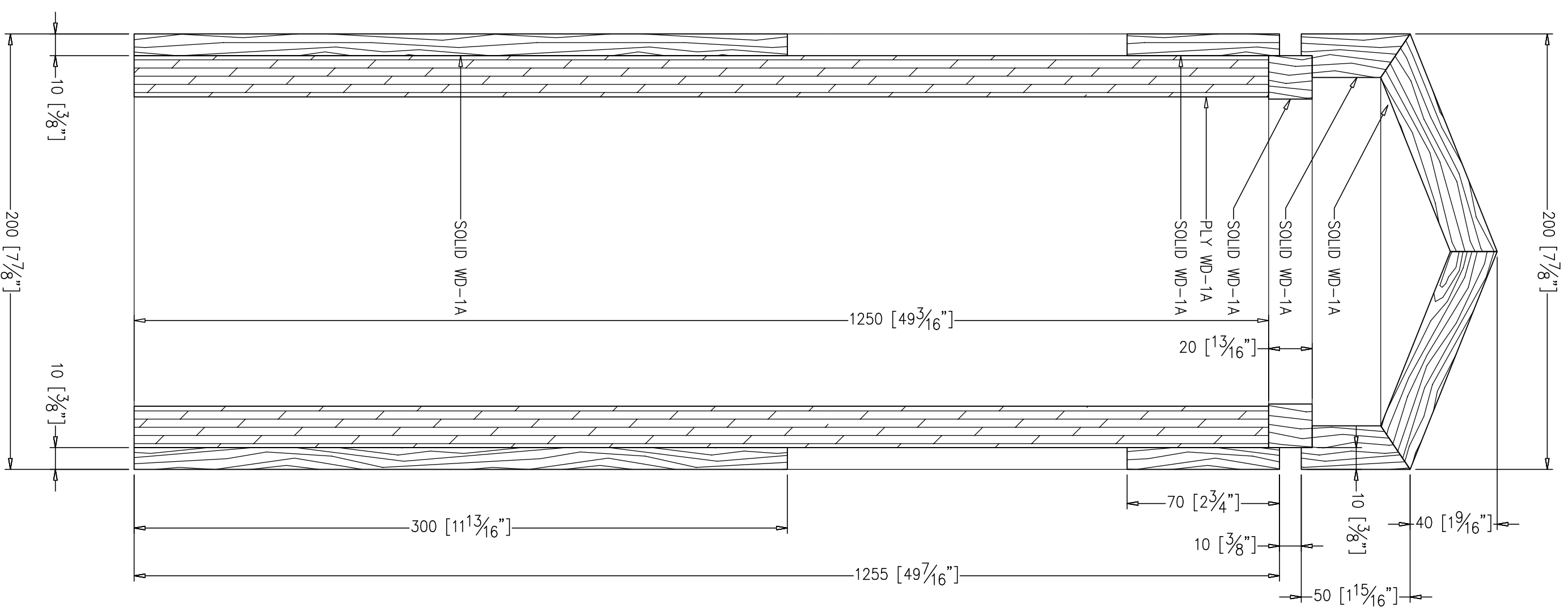
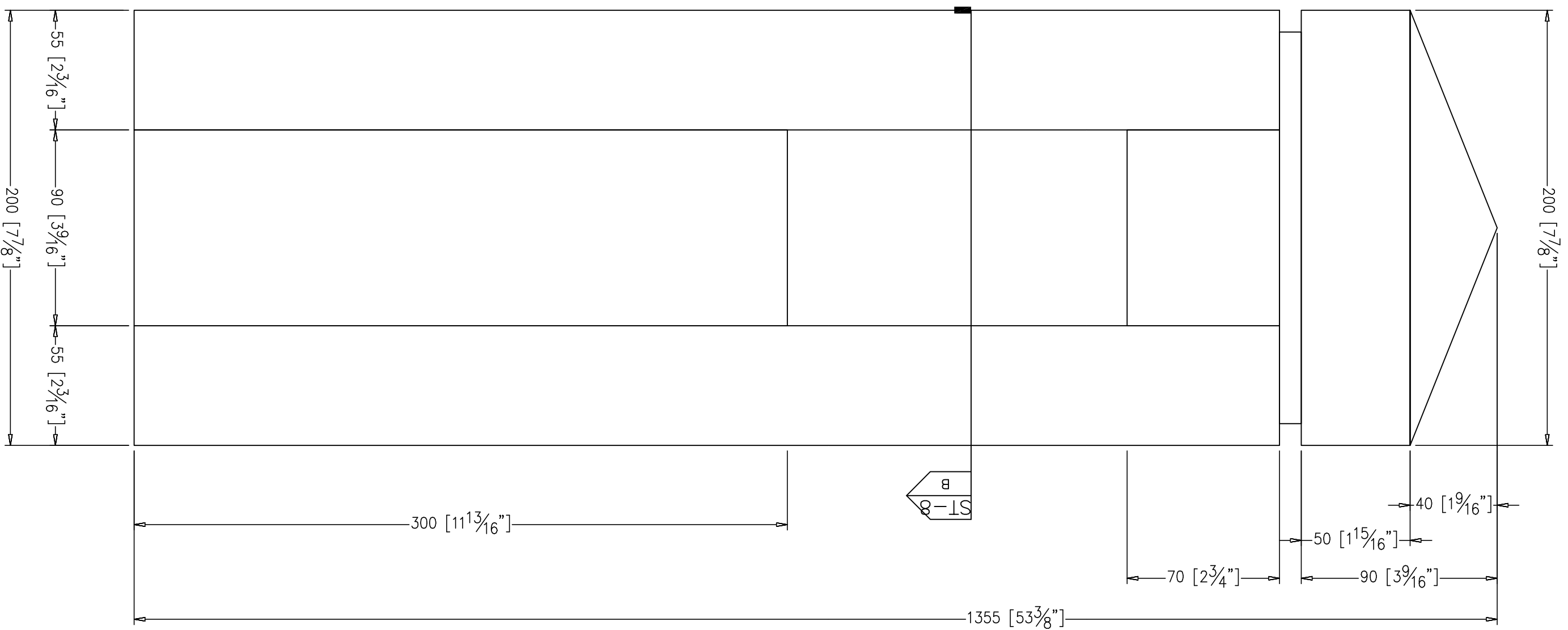
PROJECT CONTACT PHONE: -----

REVISION	INITIALS	REVISION DATE

DRAWN BY: **SD** DATE: -----

DRAWING NUMBER: **ST-3**

B Mezzanine Baluster QTY 43 (ALL INLINE)



SPECIFICATIONS

WOOD MILLWORK
SOLID WOOD
WD-1A White Oak (Rift Cut)
CABINET INTERIOR
PLASTIC LAMINATES
EDGE BAND
VENEERS
FINISHES
CABINET DOOR
STYLE: ----
EDGE: ----
PANEL: ----
DRAWER FRONT
STYLE: ----
EDGE: ----
PANEL: ----
HARDWARE
HINGE: ----
DOOR PULL: ----
DRAWER PULL: ----
DWR. SLIDE: ----
SHELF CLIP: ----
GROMMET: ----
FINISHED TOE KICK
INSTALLATION

PROJECT NUMBER	WORK ORDER
-----	-----
PROJECT NAME	
Abercrombie & Fitch	
MONUMENTAL STAIR	
PROJECT LOCATION	
POST STRASSE 11	
20254 HAMBURG, GERMANY	
PROJECT CONTACT	

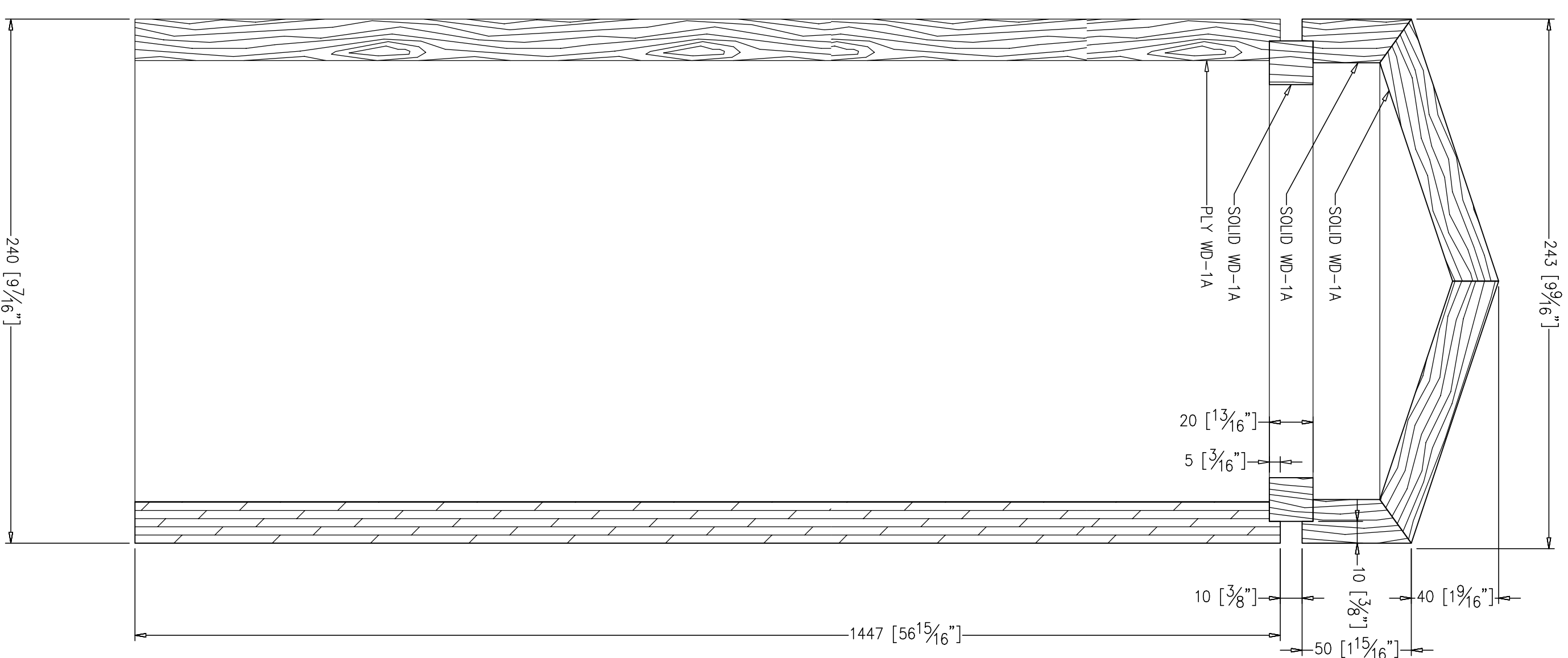
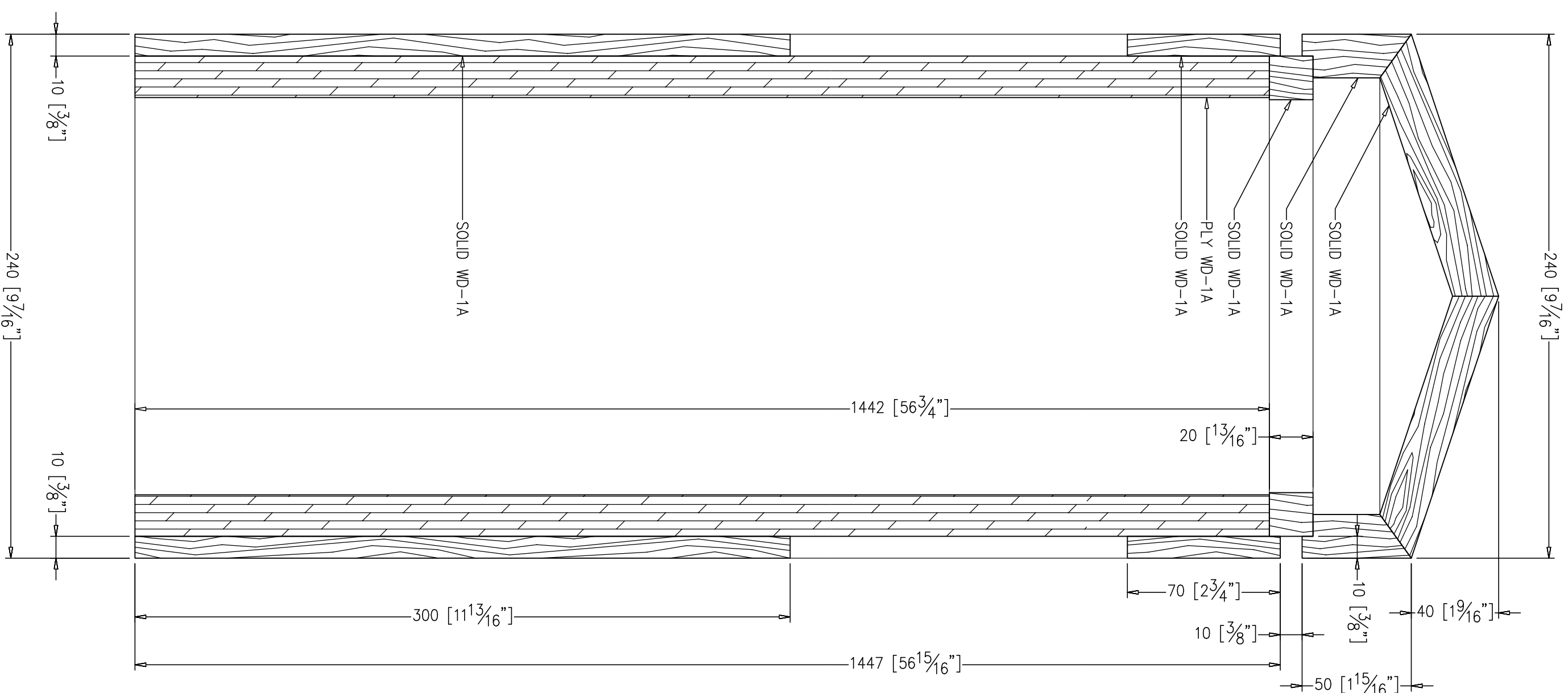
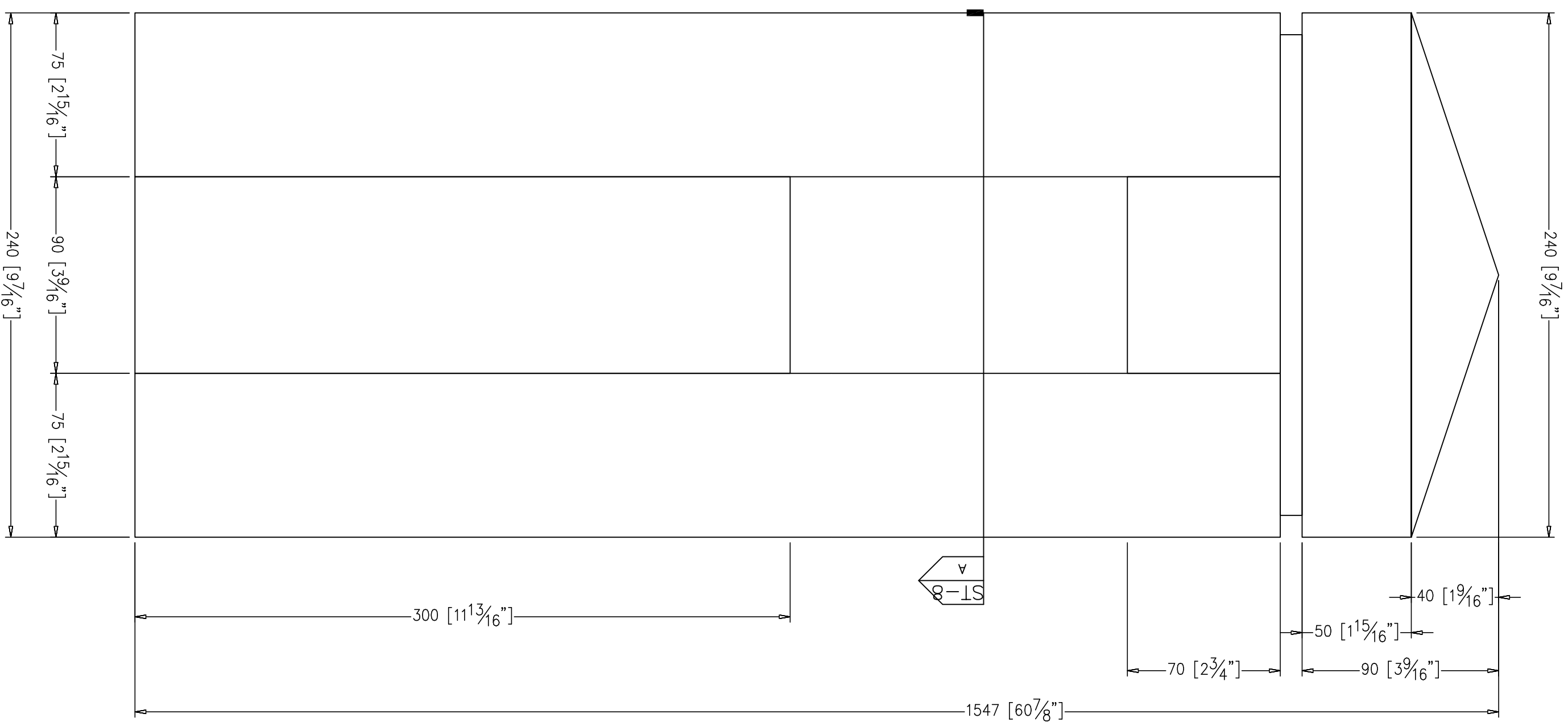
PROJECT CONTACT PHONE	

DRAWING DESCRIPTION	

REVISION	INITIALS	REVISION DATE

DRAWN BY	SD	DATE	----
DRAWING NUMBER	ST-4		

C Staircase Nuel Post Bottom QTY 4 (ALL INLINE) 2 TO HAVE FILLERS ON INSIDE



SPECIFICATIONS

WOOD MILLWORK
SOLID WOOD
WD-1A White Oak (Rift Cut)
CABINET INTERIOR
PLASTIC LAMINATES
EDGE BAND
VENEERS
FINISHES
CABINET DOOR
STYLE: -----
EDGE: -----
PANEL: -----
STYLE: -----
EDGE: -----
PANEL: -----
HARDWARE
HINGE: -----
DOOR PULL: -----
DRAWER PULL: -----
DWR. SLIDE: -----
SHELF CLIP: -----
GROMMET: -----
FINISHED TOE KICK
INSTALLATION

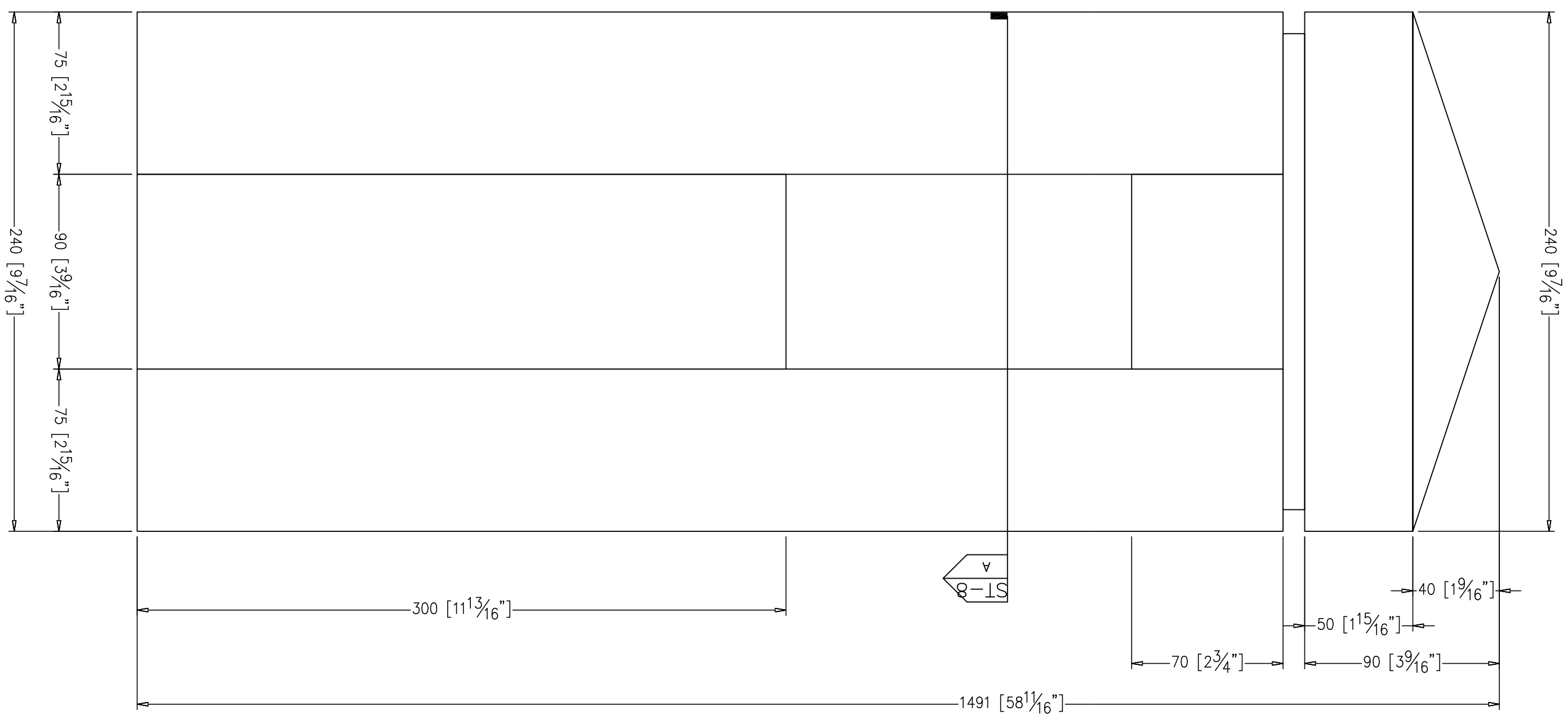
PROJECT NUMBER: ----- WORK ORDER: -----
 PROJECT NAME: **Abercrombie & Fitch MONUMENTAL STAIR**
 PROJECT LOCATION: **POST STRASSE 11 20254 HAMBURG, GERMANY**
 PROJECT CONTACT: -----
 PROJECT CONTACT PHONE: -----

DRAWING DESCRIPTION: -----

REVISION	INITIALS	REVISION DATE

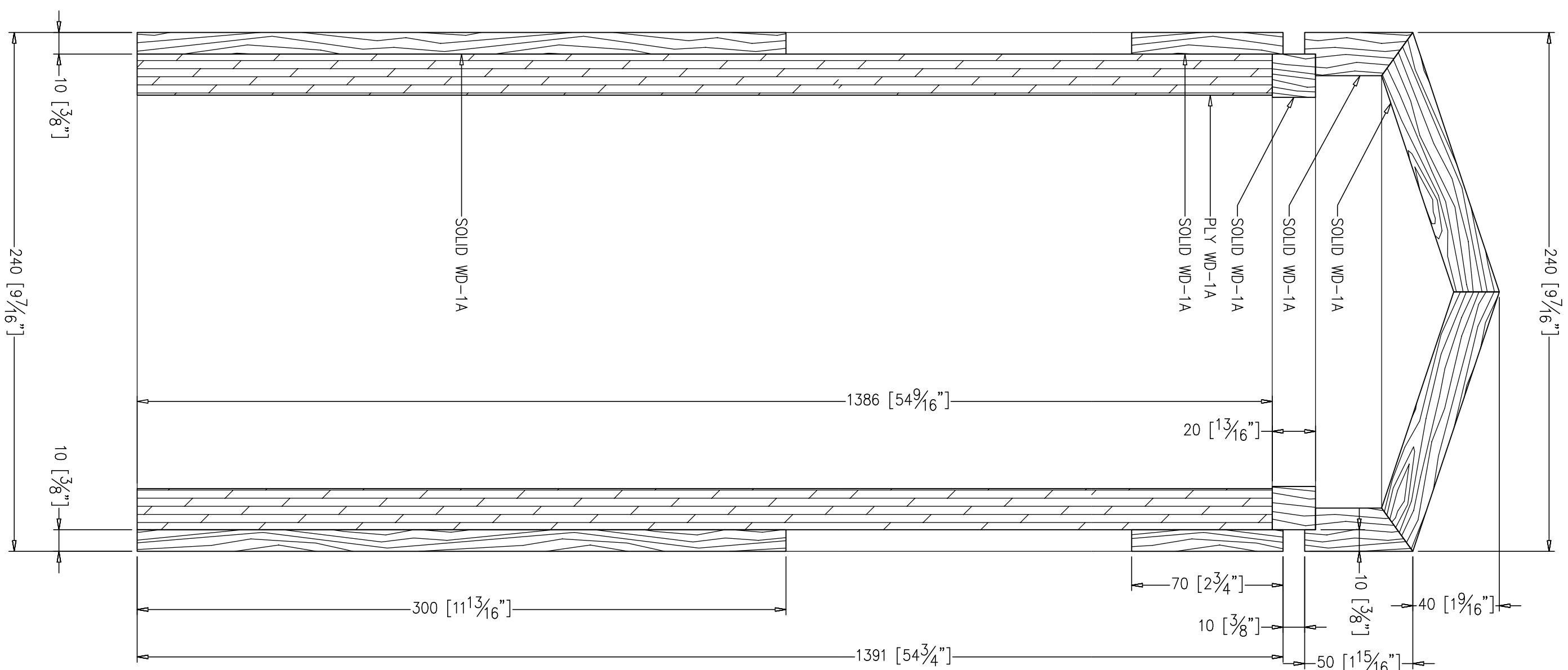
DRAWN BY: **SD** DATE: -----
 DRAWING NUMBER: **ST-5**

D Staircase Nuel Post Top **QTY 4 (2 INLINE & 2 CORNER) 2 TO HAVE FILLERS ON INSIDE**



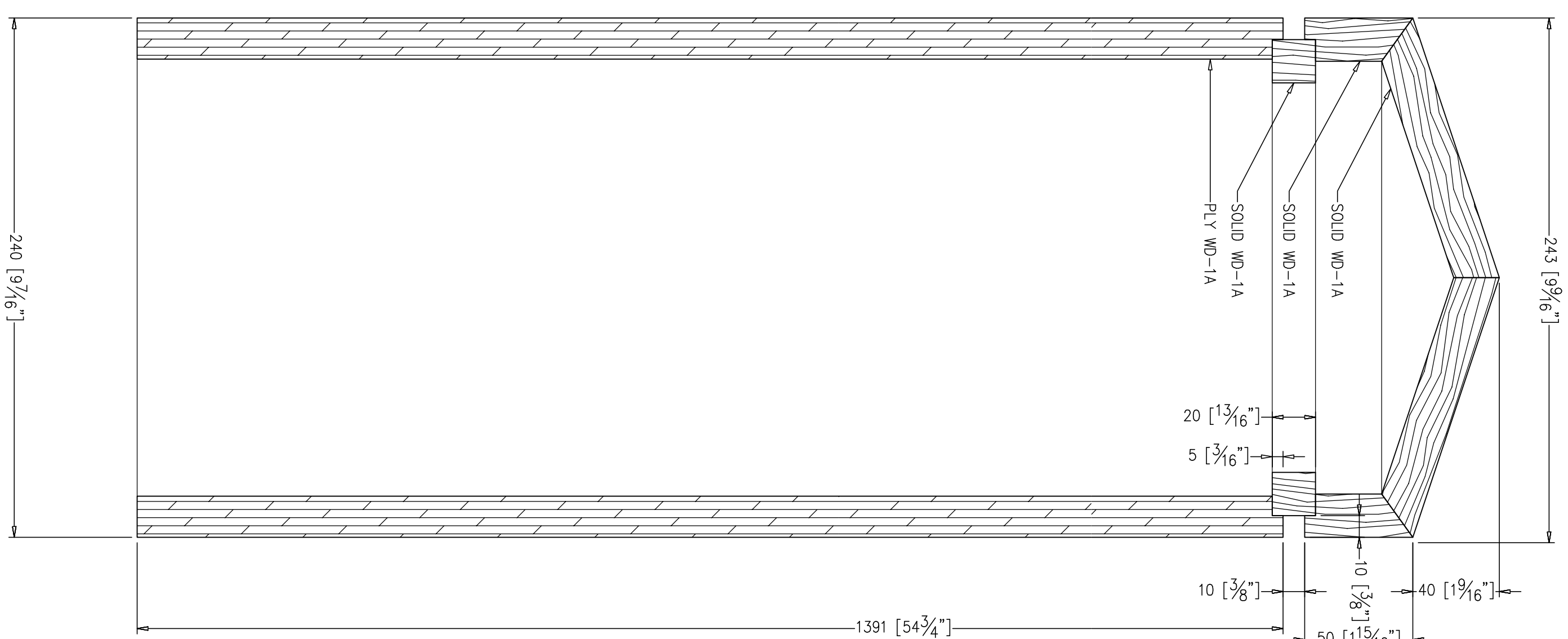
Elev

Staircase Newel Post Top



Section

Staircase Newel Post Top



Section

Staircase Newel Post Top

SPECIFICATIONS

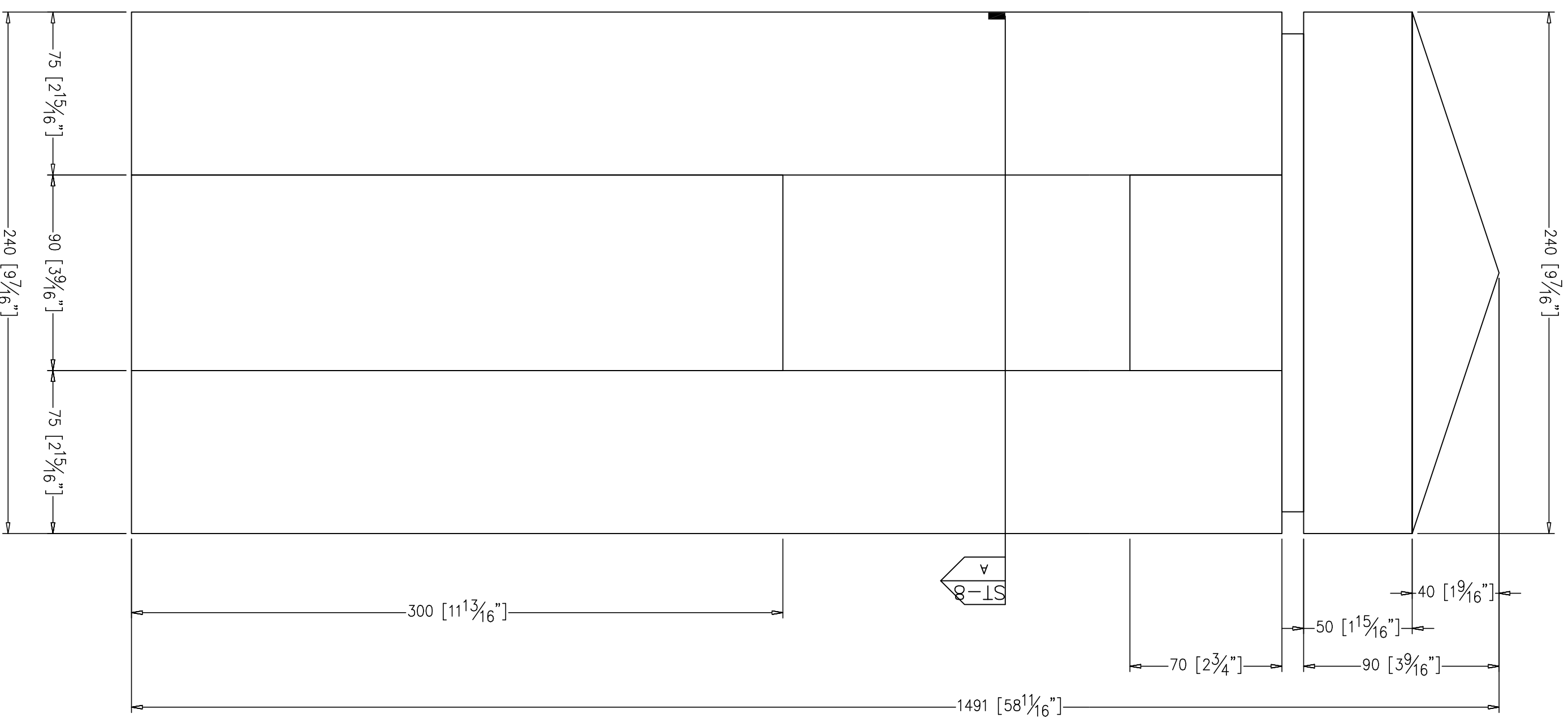
WOOD MILLWORK
SOLID WOOD
WD-1A White Oak (Rift Cut)
CABINET INTERIOR
PLASTIC LAMINATES
EDGEBOARD
VENEERS
FINISHES
CABINET DOOR
STYLE: ---
EDGE: ---
PANEL: ---
STYLE: ---
EDGE: ---
PANEL: ---
HARDWARE
HINGE: ---
DOOR PULL: ---
DRAWER PULL: ---
DWR. SLIDE: ---
SHELF CLIP: ---
GROMMET: ---
FINISHED TOE KICK
INSTALLATION

PROJECT NUMBER: --- WORK ORDER: ---
 PROJECT NAME: Abercrombie & Fitch MONUMENTAL STAIR
 PROJECT LOCATION: POST STRASSE 11
 PROJECT CONTACT: 20254 HAMBURG, GERMANY
 PROJECT CONTACT PHONE: ---

REVISION	INITIALS	REVISION DATE

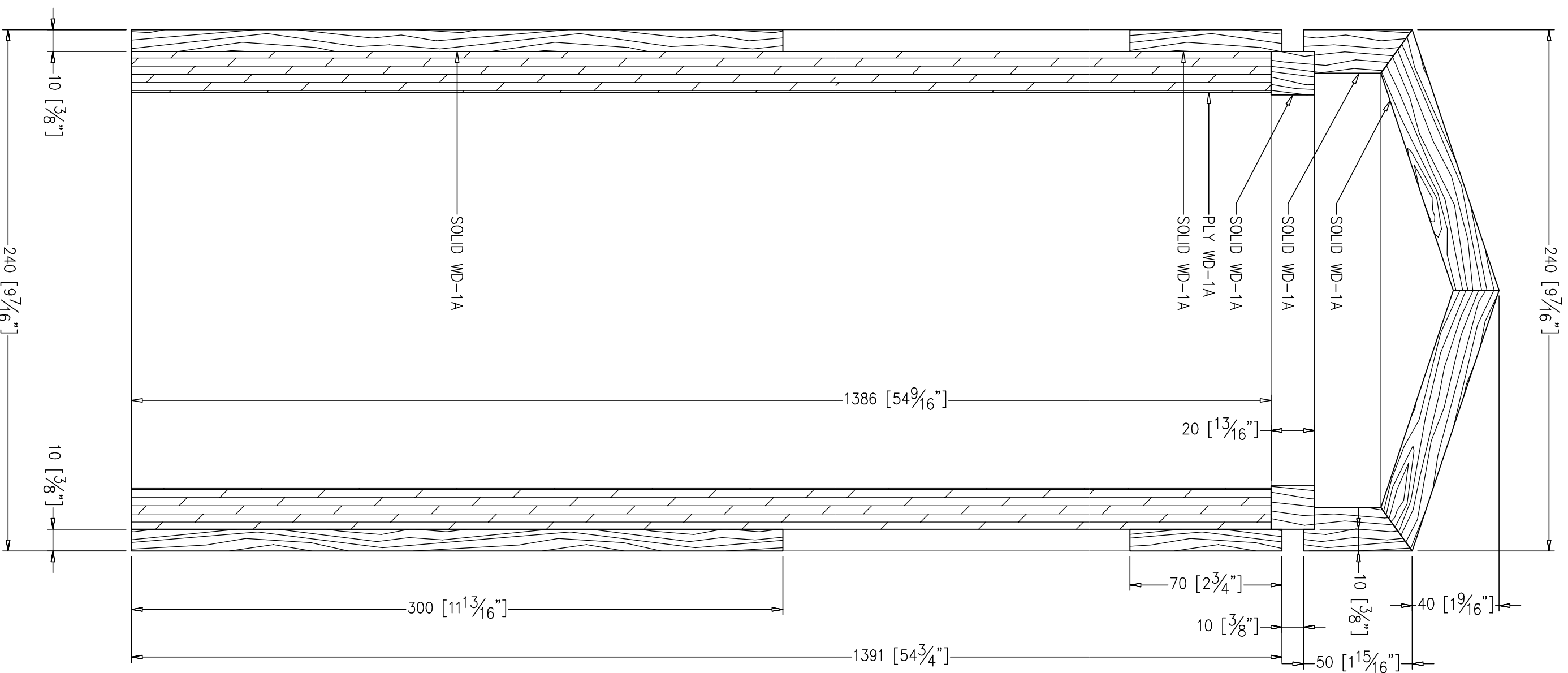
DRAWING BY: SD DATE: ---
 DRAWING NUMBER: ST-6

E Mezzanine Nuel Post QTY 3 (ALL CORNER)



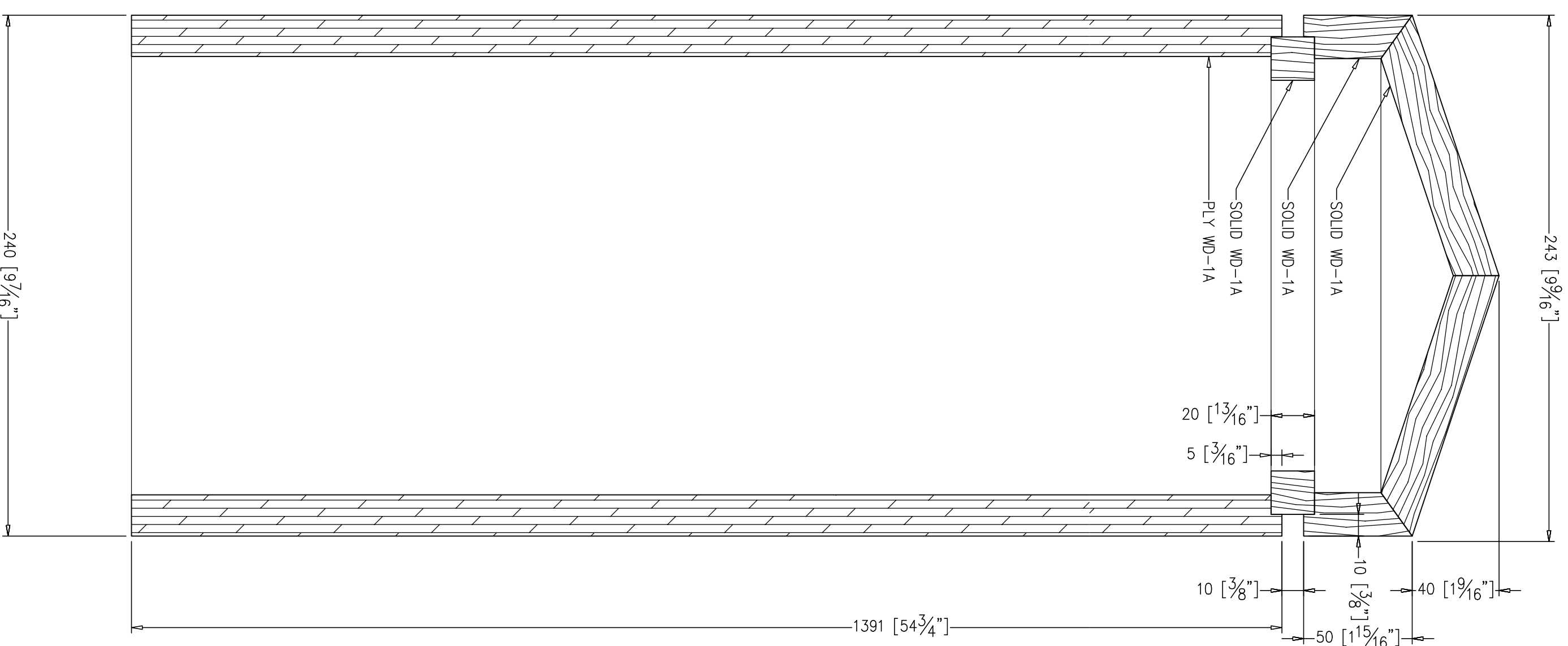
Elev

Mezzanine Nuel Post



Section

Mezzanine Nuel Post



Section

Mezzanine Nuel Post

SPECIFICATIONS

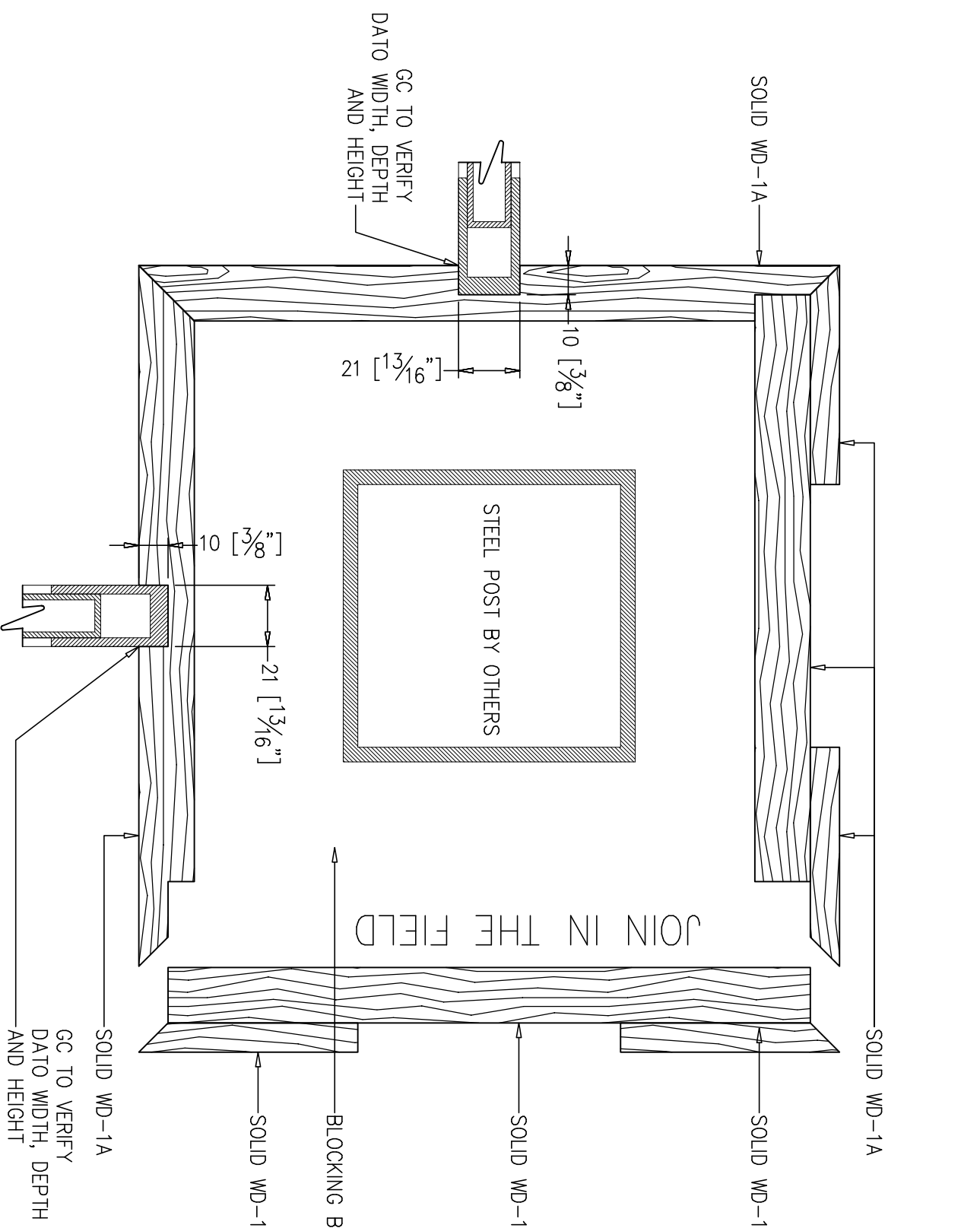
WOOD MILLWORK
SOLID WOOD
WD-1A White Oak (Rift Cut)
CABINET INTERIOR
PLASTIC LAMINATES
EDGEBOARD
VENEERS
FINISHES
CABINET DOOR
STYLE: ----
EDGE: ----
PANEL: ----
STYLE: ----
EDGE: ----
PANEL: ----
HARDWARE
HINGE: ----
DOOR PULL: ----
DRAWER PULL: ----
DWR. SLIDE: ----
SHELF CLIP: ----
GROMMET: ----
FINISHED TOE KICK
INSTALLATION

PROJECT NUMBER: ---- WORK ORDER: ----
 PROJECT NAME: Abercrombie & Fitch
 MONUMENTAL STAIR
 PROJECT LOCATION: POST STRASSE 11
 20254 HAMBURG, GERMANY
 PROJECT CONTACT: ----
 PROJECT CONTACT PHONE: ----

DRAWING DESCRIPTION: ----
 REVISION: ---- INITIALS: ---- REVISION DATE: ----

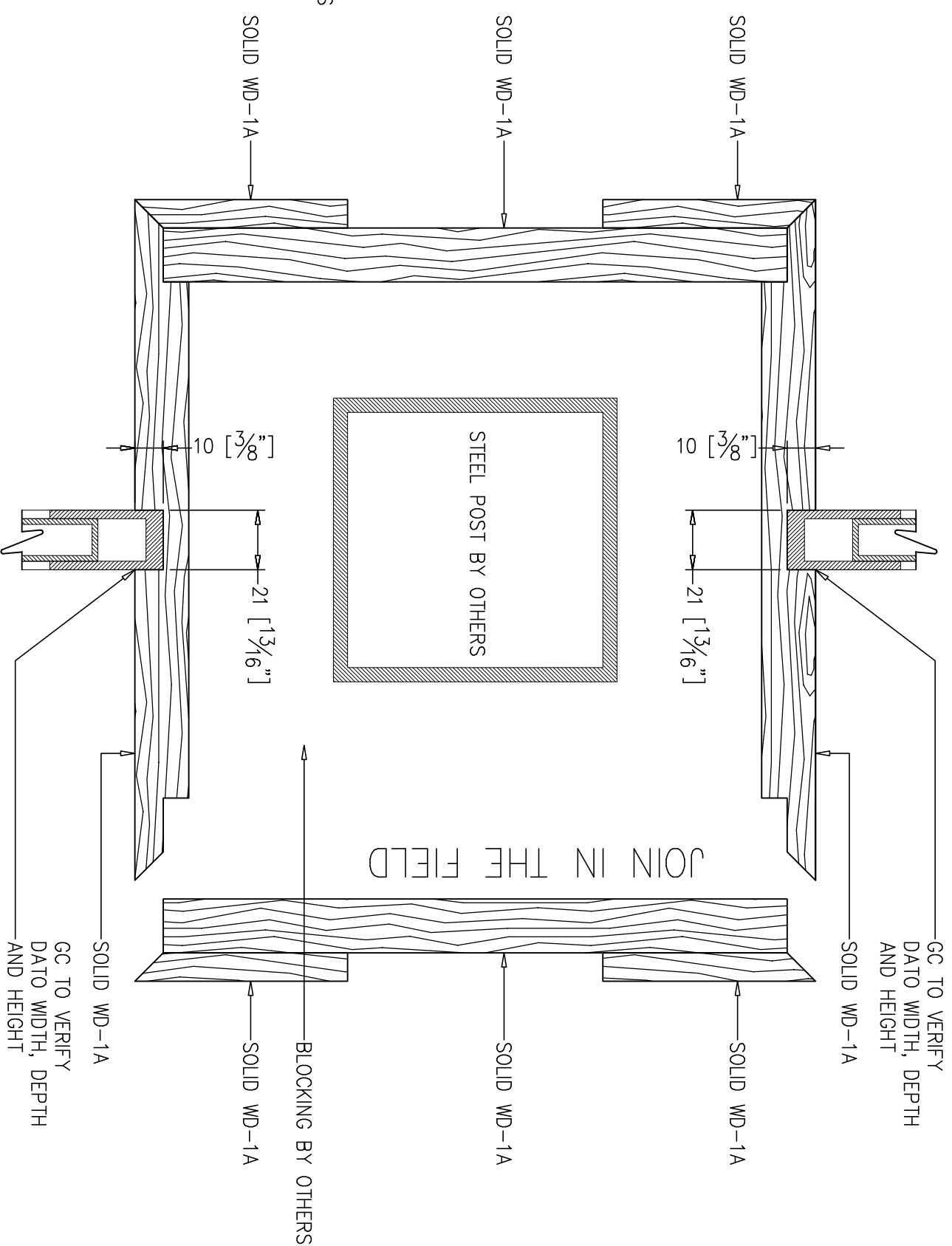
REVISION	INITIALS	REVISION DATE

DRAWN BY: SD DATE: ----
 DRAWING NUMBER: ST-7



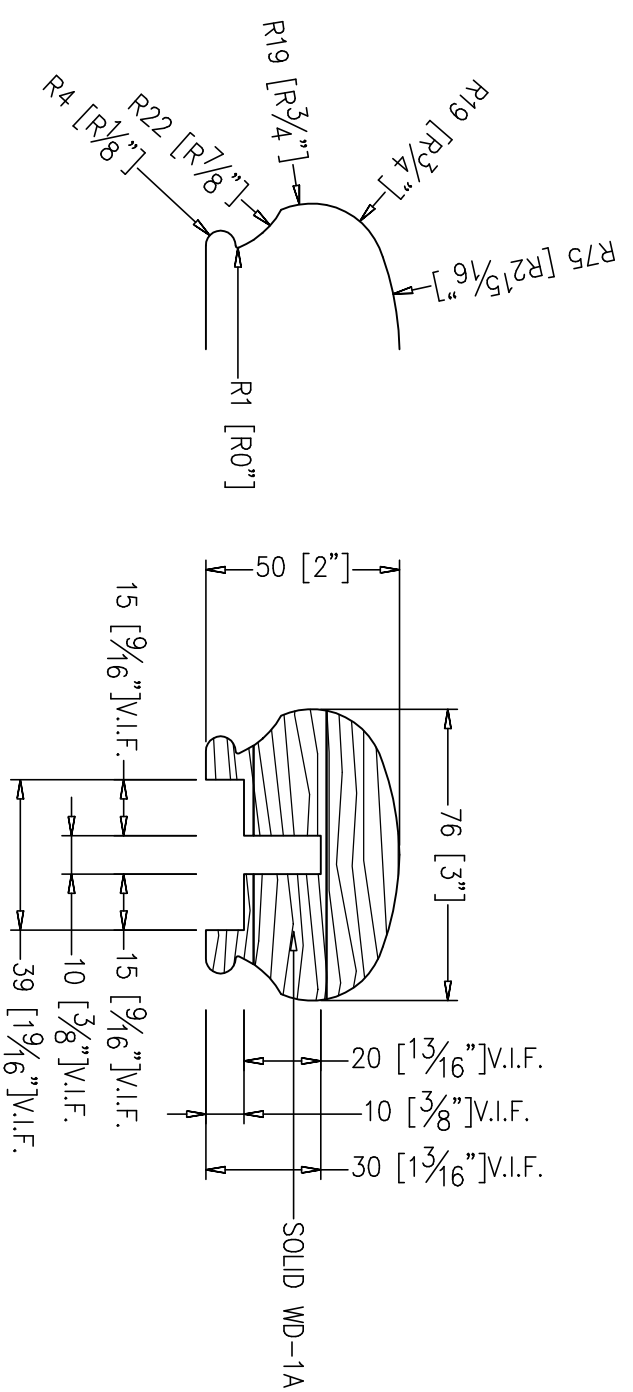
CORNER POST
 ONLY STAIR CASE POST TO BE MADE OF 3
 PIECES (TO BE ASSEMBLED IN THE FIELD) ALL
 OTHERS MADE AS ONE MONOLITHIC PRODUCT
 SEE PLAN VIEW TO VERIFY LOCATIONS

A
 Section

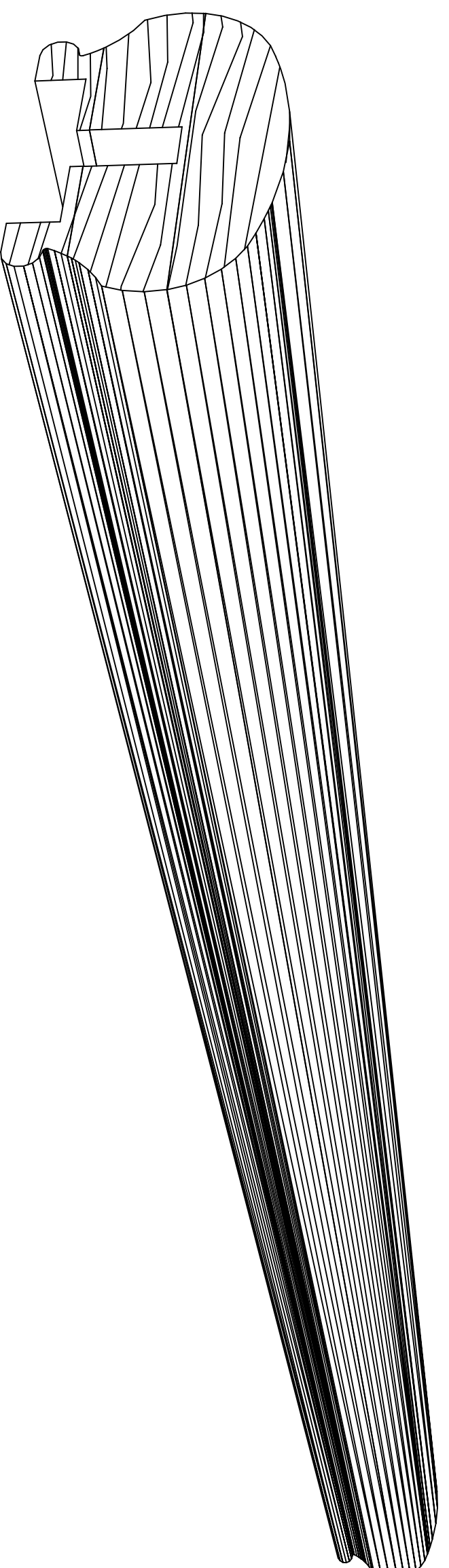


INLINE POST
 ONLY STAIR CASE POST TO BE MADE OF 3
 PIECES (TO BE ASSEMBLED IN THE FIELD) ALL
 OTHERS MADE AS ONE MONOLITHIC PRODUCT
 SEE PLAN VIEW TO VERIFY LOCATIONS

B
 Section



“J” Detail
 Inside Handrail



3D Iso
 Inside Handrail

SPECIFICATIONS

WOOD MILLWORK
CONSTRUCTION
SOLID WOOD
WD-1A White Oak (Rift Cut)
CABINET INTERIOR
PLASTIC LAMINATES
EDGE BAND
VENEERS
FINISHES
CABINET DOOR
DRAWER FRONT
HARDWARE
HINGE: ---
DOOR PULL: ---
DRAWER PULL: ---
DWR. SLIDE: ---
SHELF CLIP: ---
GROMMET: ---
FINISHED TOE KICK
INSTALLATION

PROJECT NUMBER	WORK ORDER	
PROJECT NAME	Abercrombie & Fitch MONUMENTAL STAIR	
PROJECT LOCATION	POST STRASSE 11 20254 HAMBURG, GERMANY	
PROJECT CONTACT	---	
PROJECT CONTACT PHONE	---	
DRAWING DESCRIPTION	---	
REVISION	INITIALS	REVISION DATE

DRAWN BY	SD	DATE	---
DRAWING NUMBER	ST-8		

SPECIFICATIONS

WOOD MILLWORK
SOLID WOOD
WD-1A White Oak (Rift Cut)
CABINET INTERIOR

PLASTIC LAMINATES

EDGEBOARD

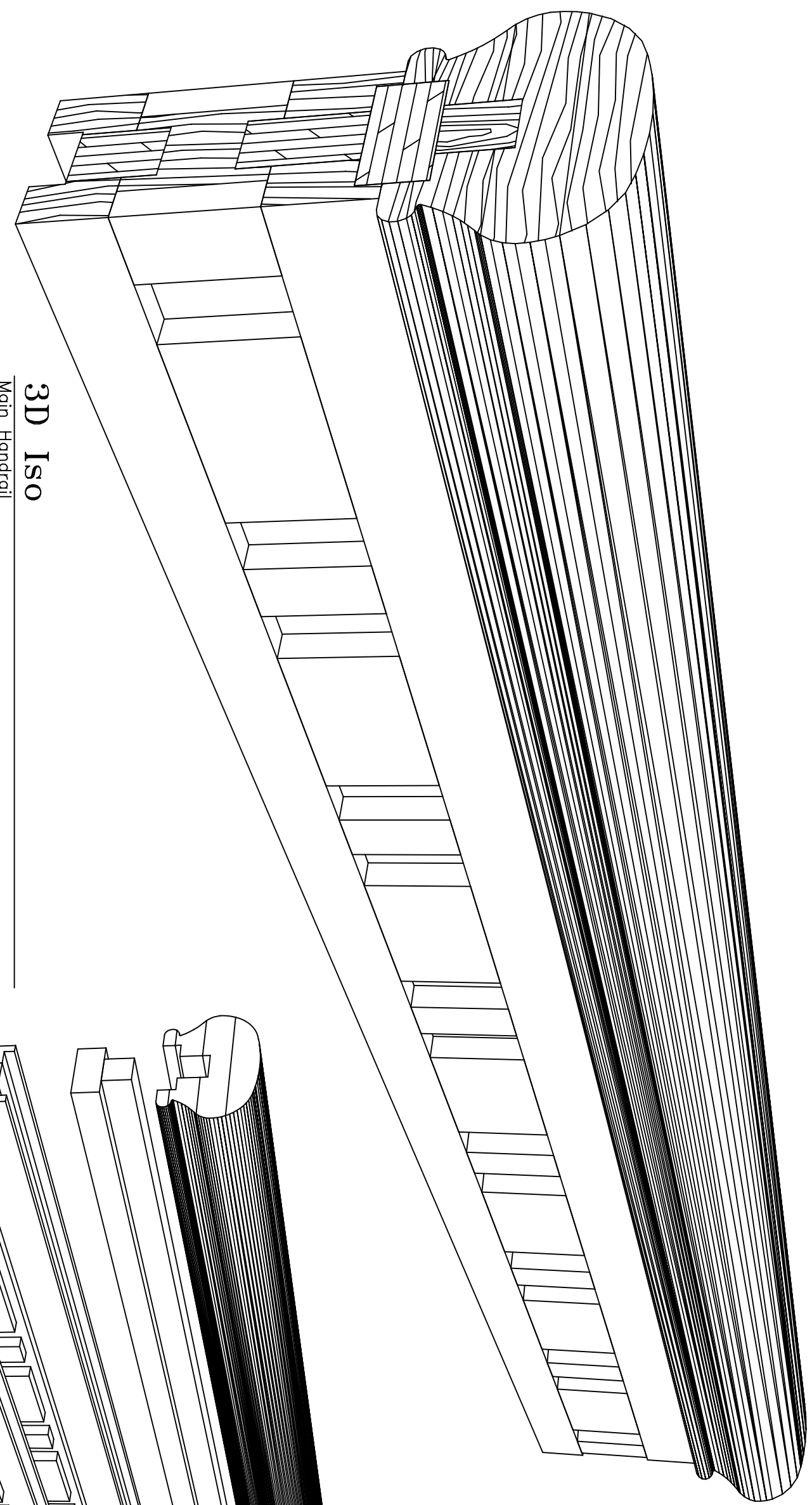
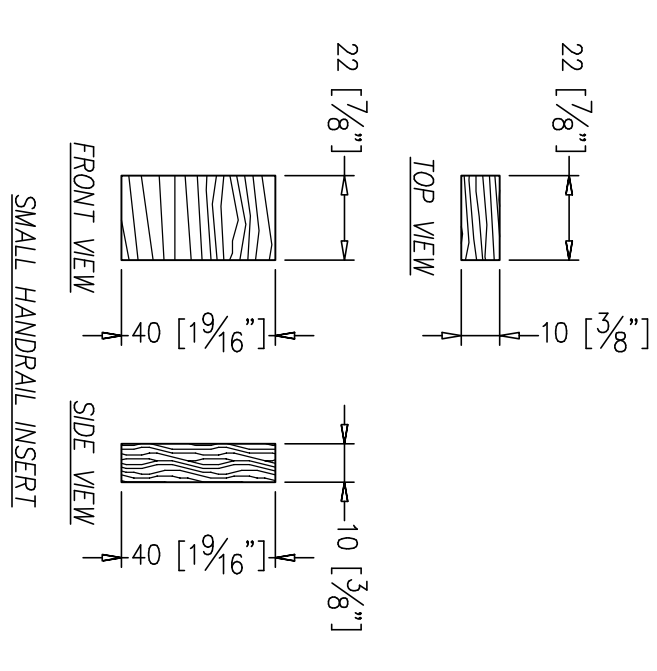
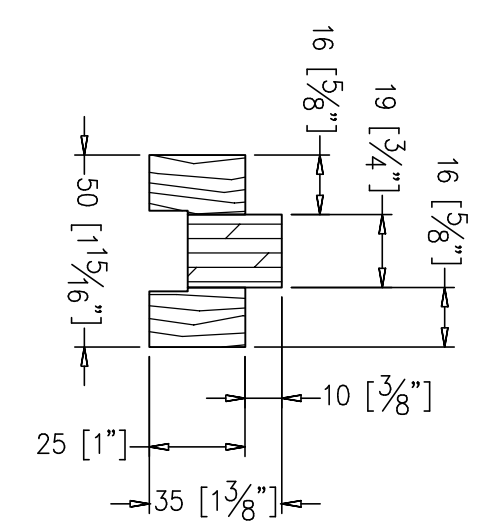
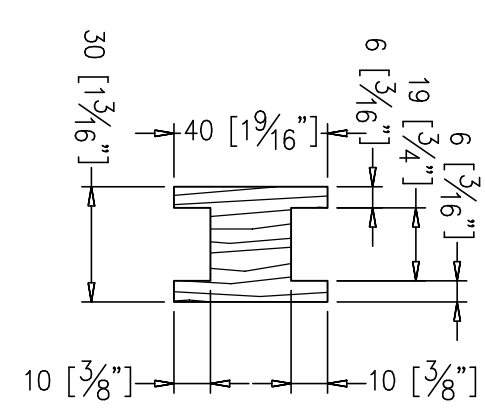
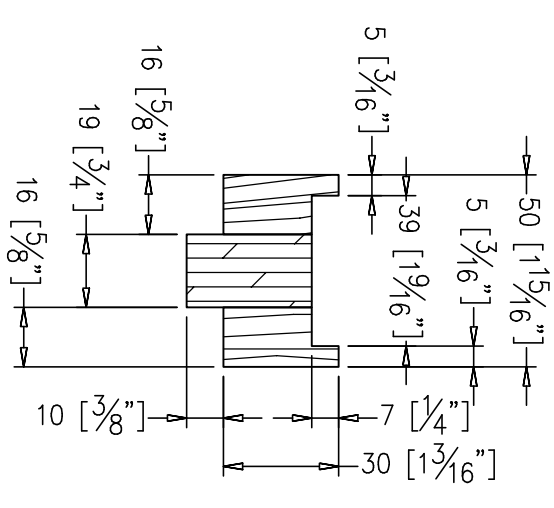
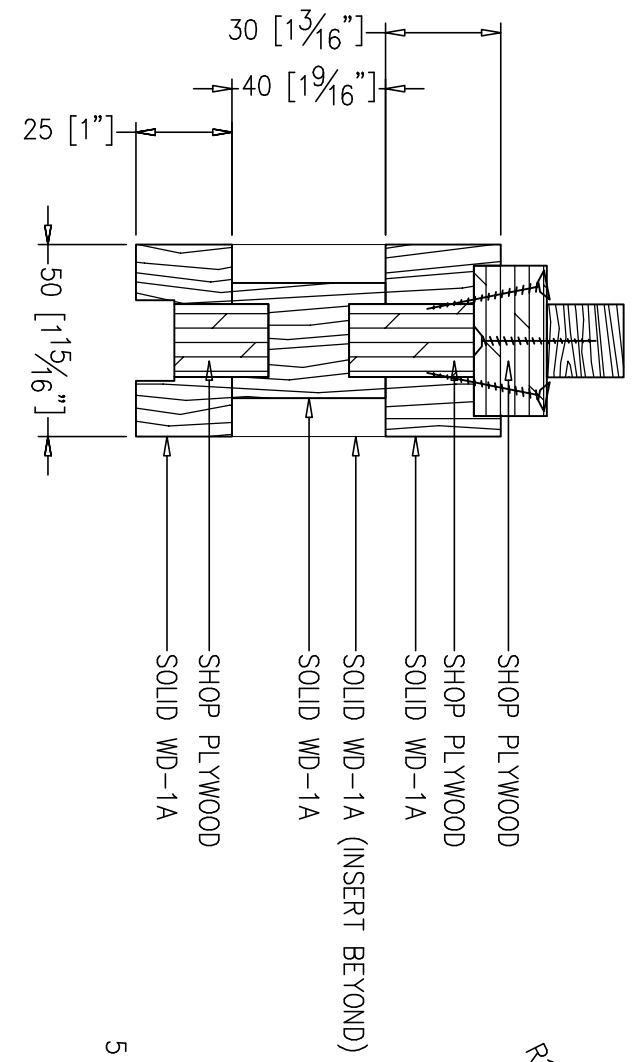
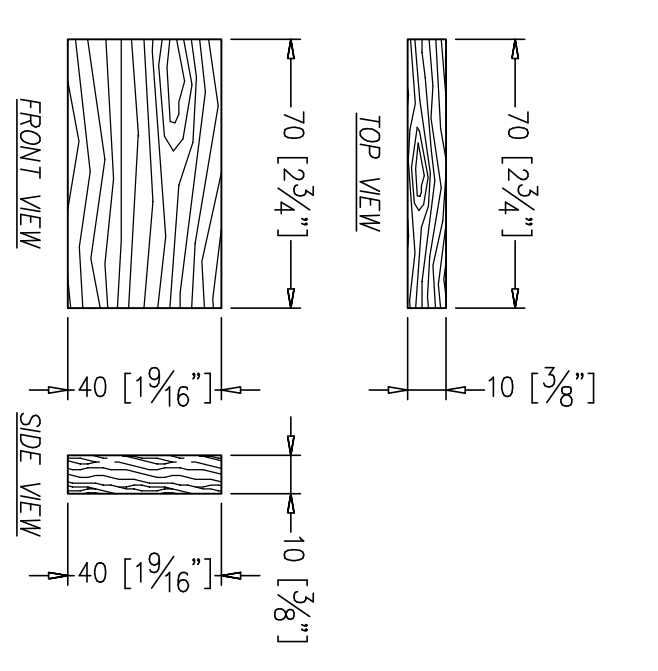
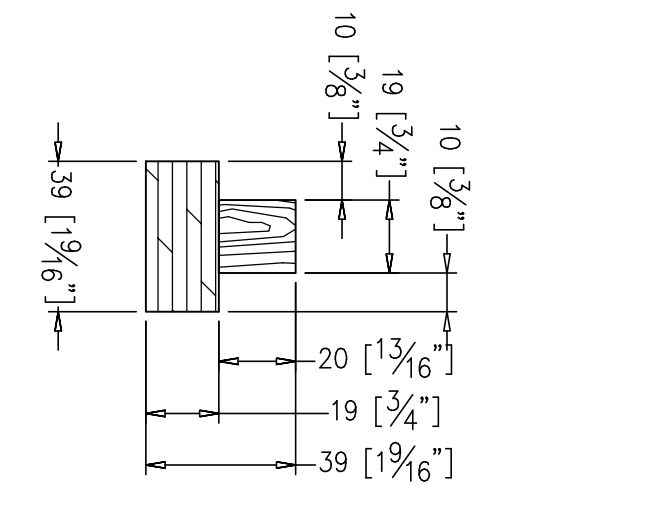
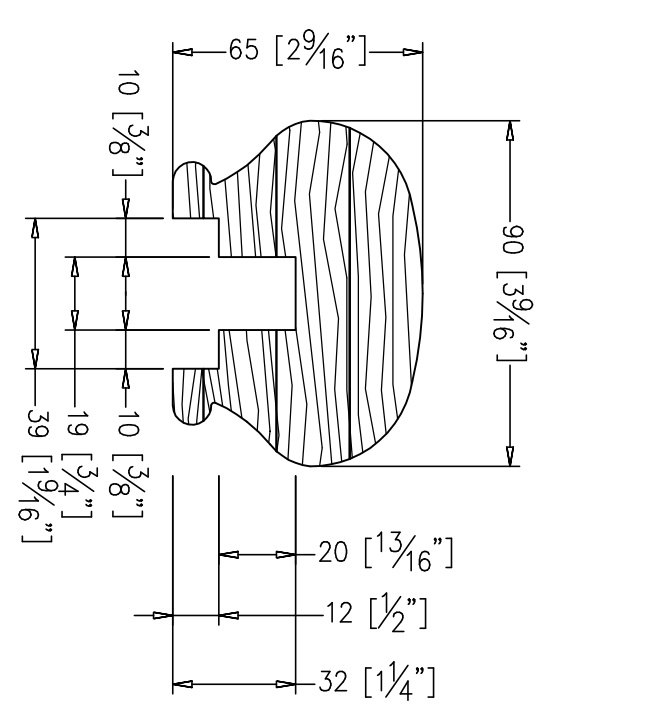
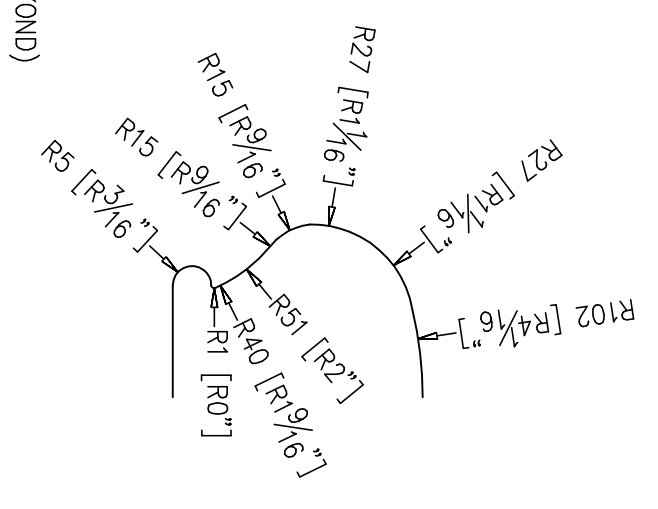
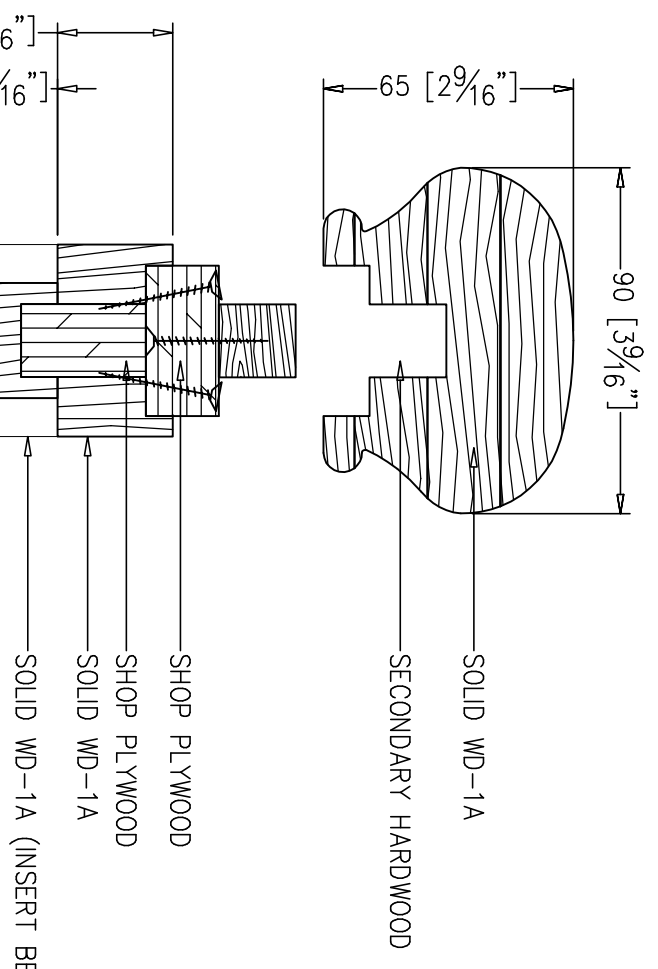
VENEERS

FINISHES

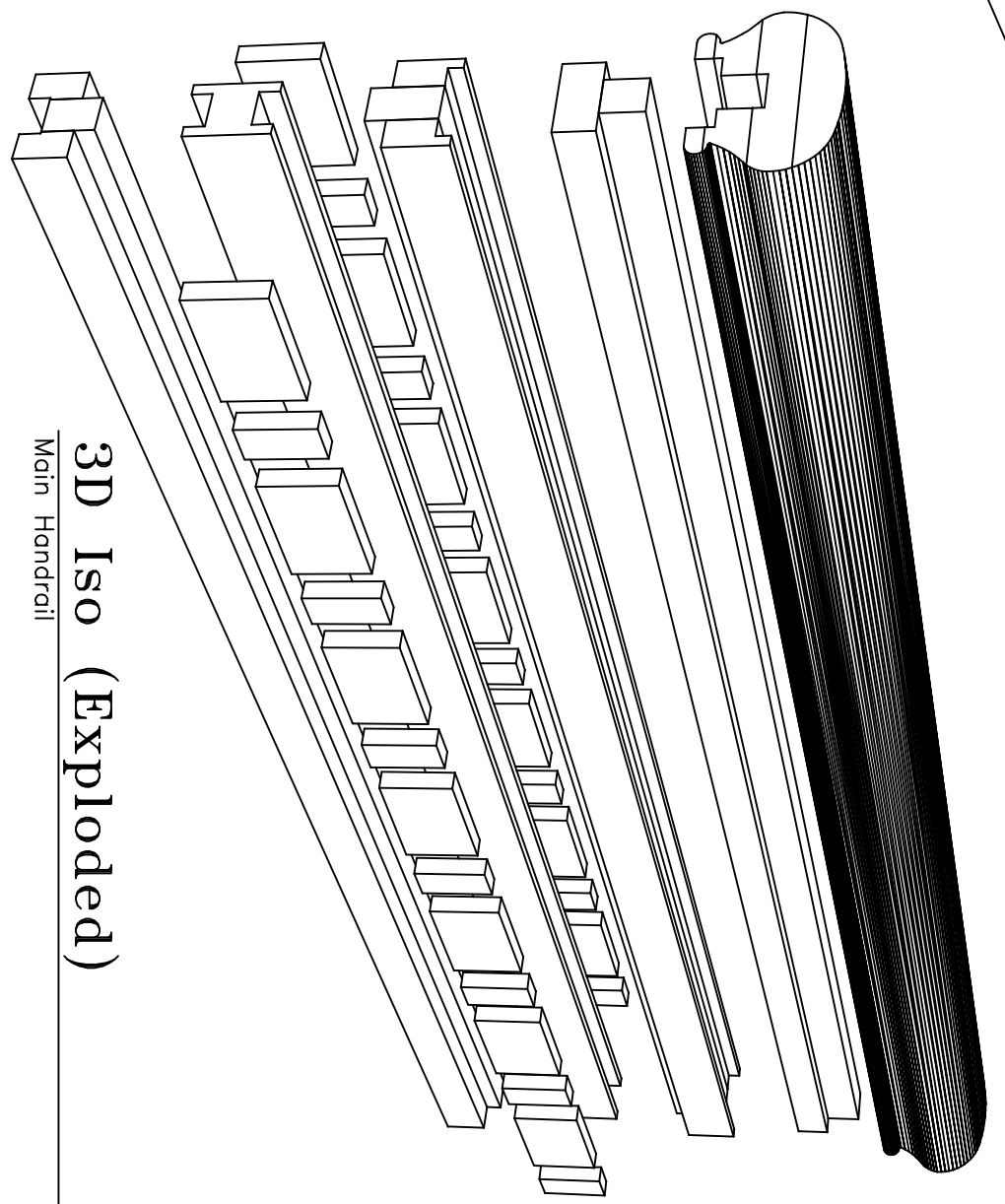
CABINET DOOR

STYLE: ---
EDGE: ---
PANEL: ---
STYLE: ---
EDGE: ---
PANEL: ---
HARDWARE
HINGE: ---
DOOR PULL: ---
DRAWER PULL: ---
DWR. SLIDE: ---
SHELF CLIP: ---
GROMMET: ---
FINISHED TOE KICK

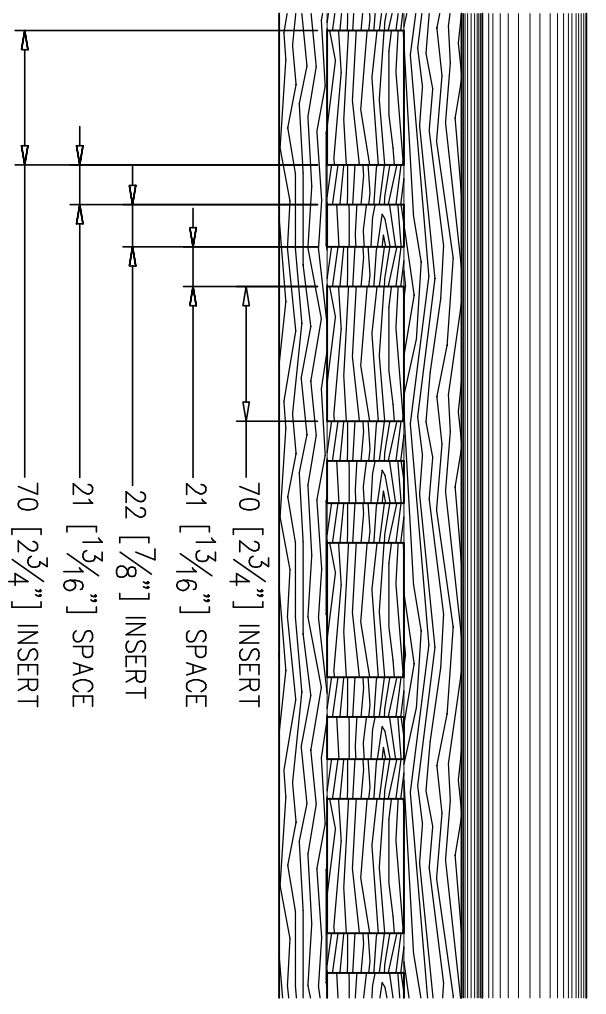
INSTALLATION



3D Iso
Main Handrail



3D Iso (Exploded)
Main Handrail



PROJECT NUMBER	WORK ORDER	
---	---	
PROJECT NAME		
Abercrombie & Fitch		
MONUMENTAL STAIR		
PROJECT LOCATION		
POST STRASSE 11		
20254 HAMBURG, GERMANY		
PROJECT CONTACT		

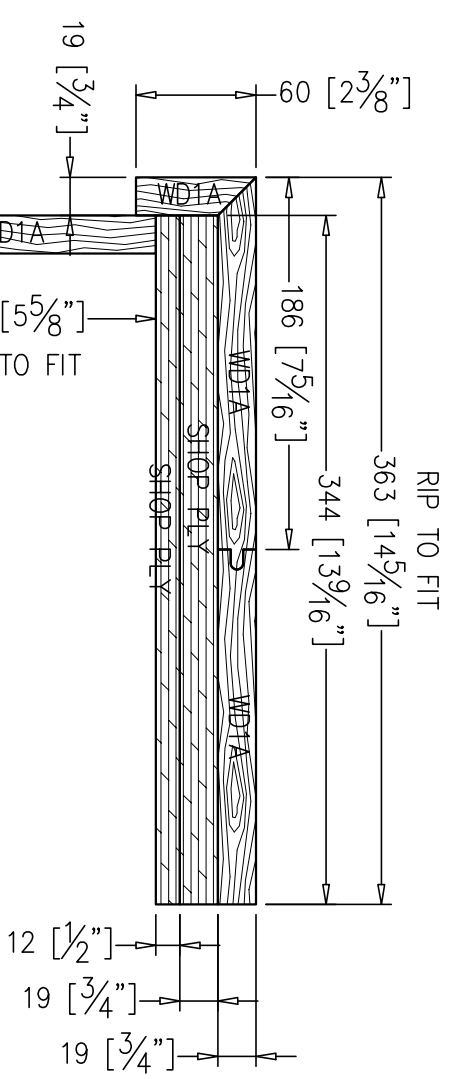
PROJECT CONTACT PHONE		

DRAWING DESCRIPTION		

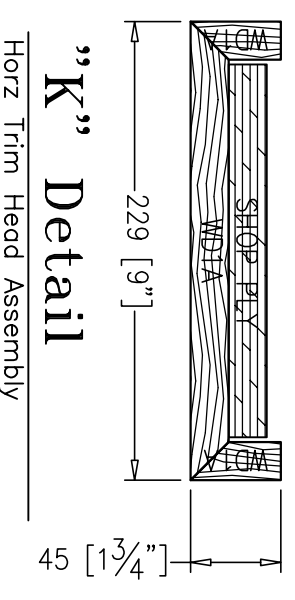
REVISION	INITIALS	REVISION DATE
---	---	---
---	---	---
---	---	---
DRAWN BY	SD	DATE
DRAWING NUMBER		ST-9

SPECIFICATIONS

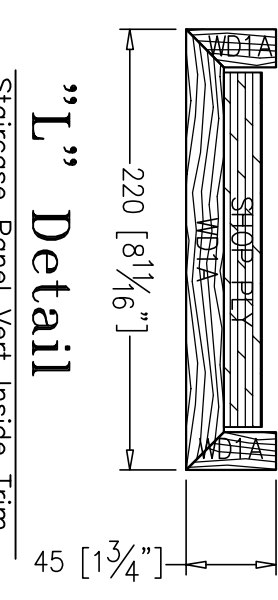
WOOD MILLWORK	CONSTRUCTION
SOLID WOOD	WOOD
WD-1A White Oak (Rift Cut)	
CABINET INTERIOR	CABINET INTERIOR
PLASTIC LAMINATES	PLASTIC LAMINATES
EDGE BAND	EDGE BAND
VENEERS	VENEERS
FINISHES	FINISHES
CABINET DOOR	CABINET DOOR
DRAWER FRONT	DRAWER FRONT
HARDWARE	HARDWARE
HINGE	HINGE
DOOR PULL	DOOR PULL
DRAWER PULL	DRAWER PULL
DWR. SLIDE	DWR. SLIDE
SHELF CLIP	SHELF CLIP
GROMMET	GROMMET
FINISHED TOE KICK	FINISHED TOE KICK
INSTALLATION	INSTALLATION



"G" Detail
Step Assembly



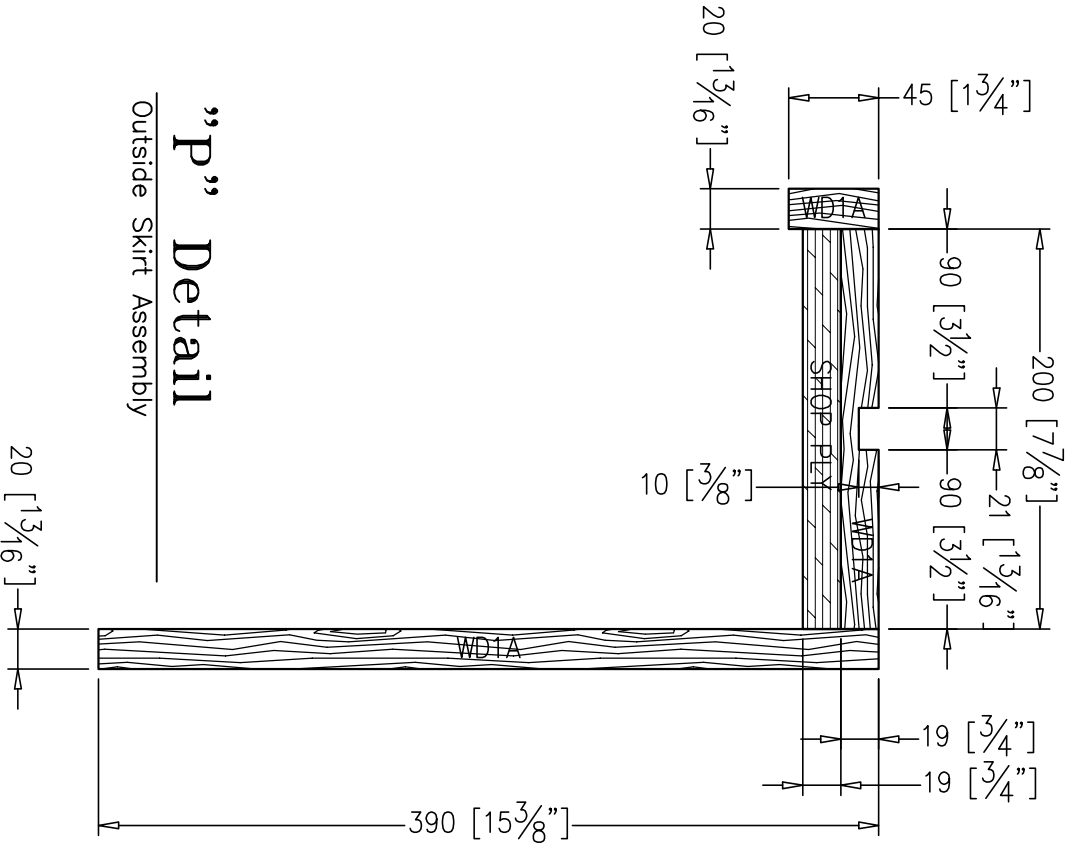
"K" Detail
Horz Trim Head Assembly



"L" Detail
Staircase Panel Vert Inside Trim



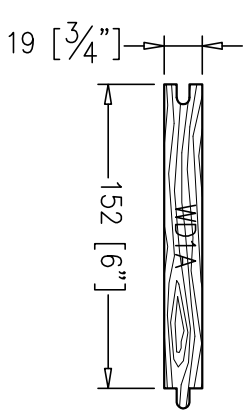
"M" Detail
Staircase Panel Vert Outside Trim



"P" Detail
Outside Skirt Assembly

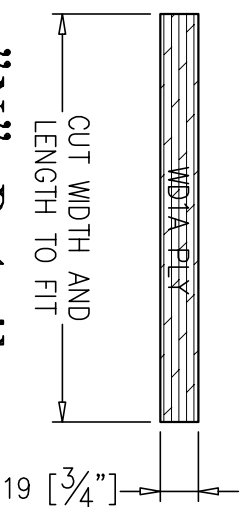
"H" Detail

Tongue & Groove Assembly



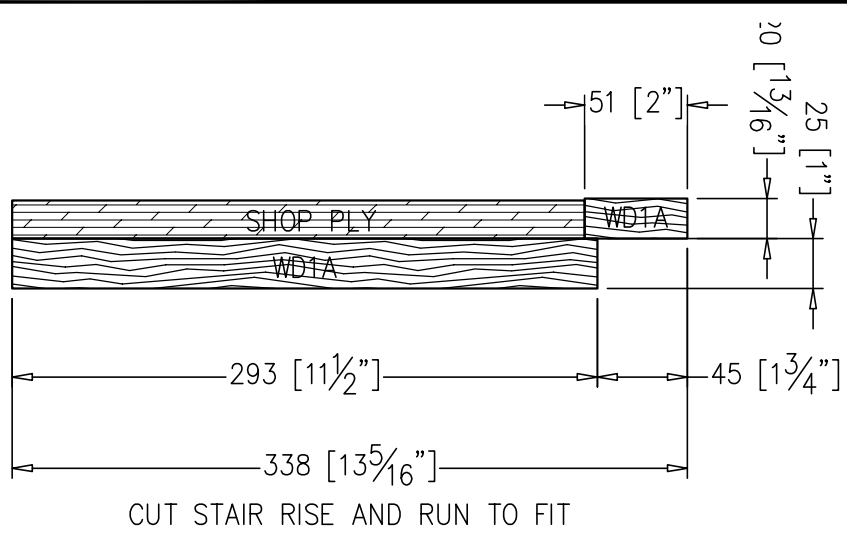
"N" Detail

Staircase Panel 19mm Plywood



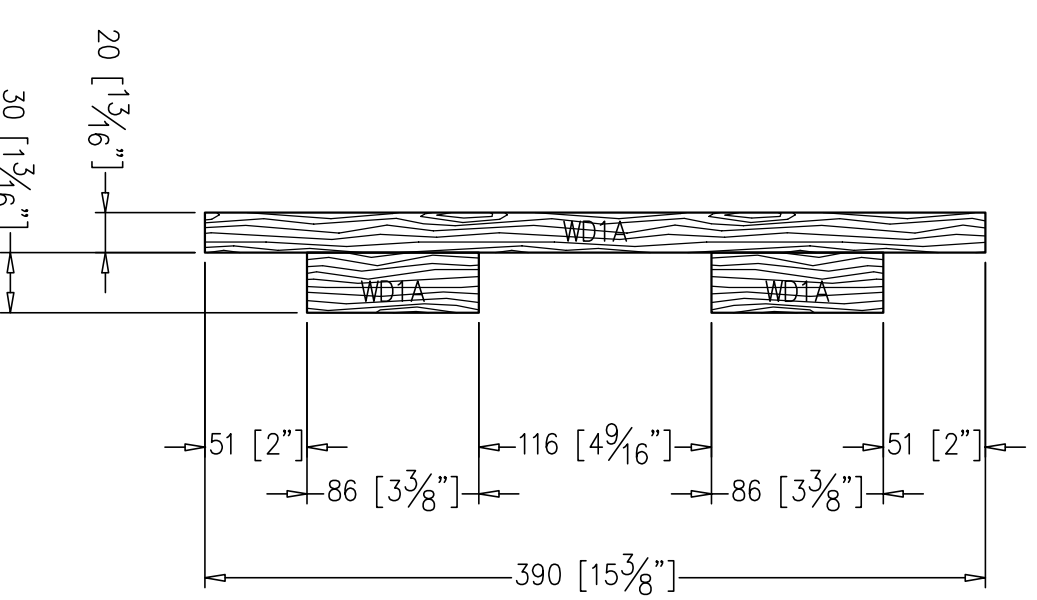
"I" Detail

Inside Skirt Board Assembly



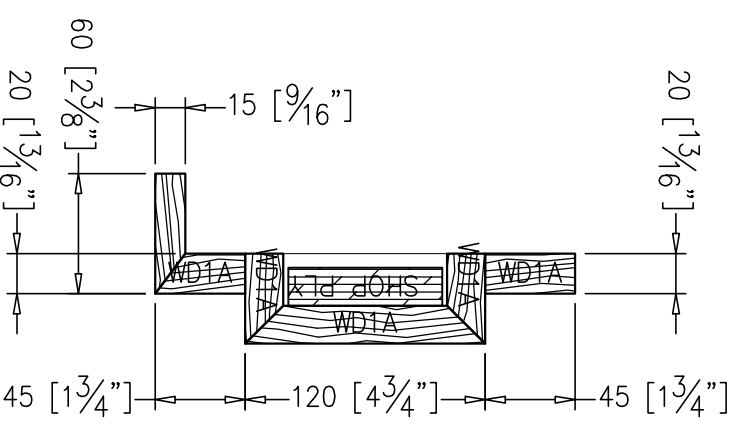
"O" Detail

Outside Stair Case Skirt Assembly



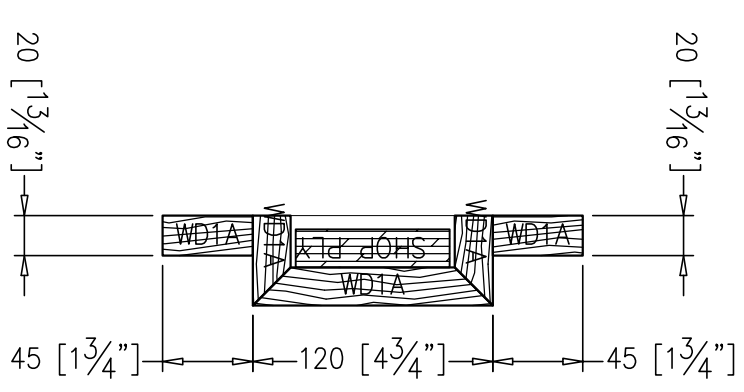
"Q" Detail

Freeze Assembly



"R" Detail

Freeze Assembly



PROJECT NAME
Abercrombie & Fitch
MONUMENTAL STAIR

PROJECT LOCATION
POST STRASSE 11
20254 HAMBURG, GERMANY

PROJECT CONTACT
PROJECT CONTACT PHONE: _____

REVISION	INITIALS	REVISION DATE

DRAWN BY SD	DATE _____
DRAWING NUMBER	DRAWING NUMBER
ST-10	ST-10